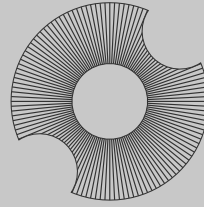


Pyxis

Pyxis - Recessed
89 mm x 110 mm dia.



LIGHT FORMS

Spot

Specification



Recessed



Features

Direct Distribution

Up to 989LM and
97.9 LM/W

Two Beam Angles

Optic and Reflector
Options

One Standard Output
Options

Dimming Down to 0%

Integral Downlight Spot
Options

Aluminium, White, Black,
Bronze or Custom RAL
Finish

Photometry and additional documentation at:
[LightForms.com/spots/pyxis](https://www.lightforms.com/spots/pyxis)

Pyxis — Recessed

INSTRUCTIONS

Digital users: Check selection boxes and fill in fields directly in fillable, interactive PDF, save file, submit to Light Forms.
Manual users: Check selection boxes and fill in fields with pen, scan and save ALL pages as PDF document, submit to Light Forms.

1 **Base model / mounting** Select ONE

Pyxis Surface-Mount (direct only)

2 **Spot Options** Select ONE from EVERY category (note exceptions below)

Beam Degree	Output	CRI	CCT
<input type="checkbox"/> 24 24° spread	<input checked="" type="checkbox"/> MIN	<input type="checkbox"/> 80	<input type="checkbox"/> 2700K
<input type="checkbox"/> 36 36° spread		<input type="checkbox"/> 90	<input type="checkbox"/> 3000K
			<input type="checkbox"/> 3500K
			<input type="checkbox"/> 4000K

3 **Integral driver*** Select ONE

NONDIM Non-dimming

DALI# DALI driver, dimming down to 1%

PHASE For use with phase-cut triac, IGBT or sine wave dimmer switches

Pyxis

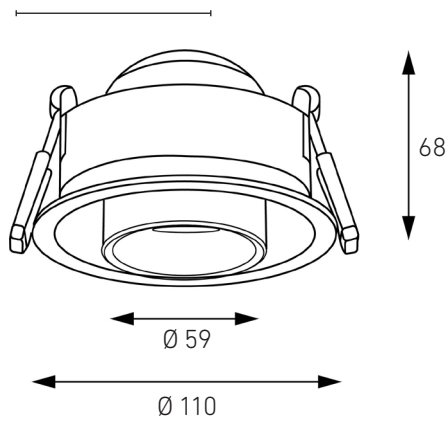
LIGHT FORMS

Pyxis— Recessed

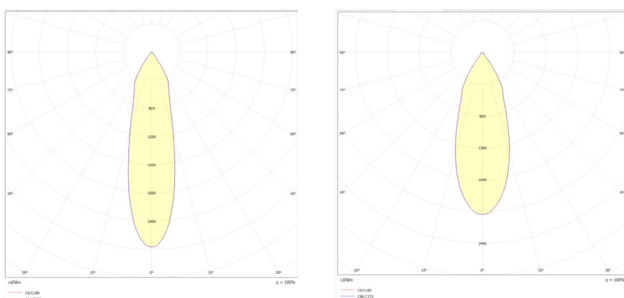
Dimensions

Direct only

68 mm x 110 mm dia.



Distribution



Pyxis— Recessed

Reflector lamping – options & performance data*

Output Options	Beam Spread °	Delivered Lumens LM	Watts W	Efficacy LM/W	CRI Options	CCT Options
MIN	24	923	10.1	91.4	80	2700K
	36	915		90.6	90	3000K 3500K 4000K

Optics lamping – options & performance data*

Output Options	Beam Spread °	Delivered Lumens LM	Watts W	Efficacy LM/W	CRI Options	CCT Options
MIN	24	989	10.1	97.9	80	2700K
	36	896		88.7	90	3000K 3500K 4000K

L80 > 50,000 hours

Luminous flux +/- 5%

Performance data is based on a connected-load photometric test of MIN output with 80 CRI at 4000K.

Pyxis

LIGHT FORMS

Pyxis— Recessed

Housing

100% recyclable, extruded architectural grade aluminium with minimum 2mm thickness.

Finish options

Silver, White, Black, Bronze or custom RAL powdercoat. Contact Light Forms for other finish options (Interpon, Farrow & Ball, and silver and gold plating).



View all RAL colour options at:
<https://lightforms.com/RAL>

Warranty

5-year limited warranty.

Manufacturing & certification

Products are manufactured in and comply with the health, safety and environmental protection standards of the respective region in which they are sold.



Europe



United Kingdom



Greater India
and Middle East

Remote sensors

Optional, presence (PRES), DALI-compatible PIR presence (DALI/PRES) and daylight harvesting (PHOTO) sensors available. Contact Light Forms for further information.

Operating temperature

Luminaire MUST be installed and operated ONLY in dry or damp environments where the ambient temperature ranges from -20°C to 50°C. Luminaire operation in environments outside this temperature range voids the warranty AND may damage the product or adversely impact lamp life, lumen output and colour consistency.