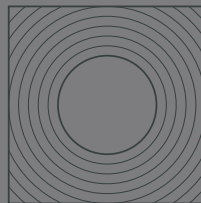


# MoonRing 1 Acoustic

MR1-AC



LIGHT FORMS

Acoustic

## Acoustic Panels

The Acoustic range by Lightforms use highly efficient 9mm thick PET felt to absorb much of the unwanted reflected noise and reverberation within an environment. Idea for use in open plan offices, breakout spaces, meeting rooms and an internal space where noise comfort is of importance.

The acoustic panels provide a weighted sound absorption coefficient to EN ISO 11654: 1997 of  $\alpha_w=0.60(M,H)$  class: C.

The PET material is fire rated to EN 13501-1:2018 as B-s2, d0.



## Features

Small 25mm wide, 30mm tall housing profile.

Four standard shapes. Flexible range of sizes.

10 panel colours as standard.

Available in a range of standard RAL powdercoat finishes.

Suspended or surface Mount options available.

Indirect distribution options available.

Weighted sound absorption coefficient of 0.6.

Fixed white, up to 1147.4lm/m

Tunable white, up to 1072.4lm/m

Homogeneous opal diffuser

Remote DALI, DMX, 1-10V and wireless options available.

PIR and Emergency options.

# Moonring 1 Acoustic

LIGHT FORMS

## Product Options

---

### Direct Output Options

---

#### Medium

- 15.36W/m - 74.7lm/W - 1147.4lm/m

#### Tuneable Medium

- 17.48W/m - 61.3lm/W - 1072.4lm/m

RGBW

---

### CRI Options

---

80CRI

90CRI

---

### CCT Options

---

2700K

3000K

3500K

4000K

---

### Control Options - Remote Only

---

Non Dimmable

DALI

1-10V

DMX

Wireless

---

### Additions - Remote Only

---

DALI motion sensor

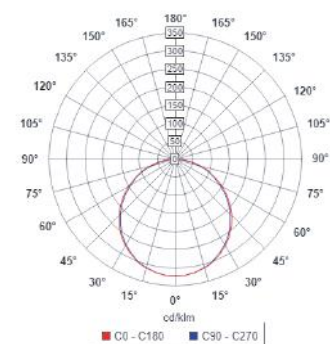
Standard motion Sensor

BASIC 3 hour emergency

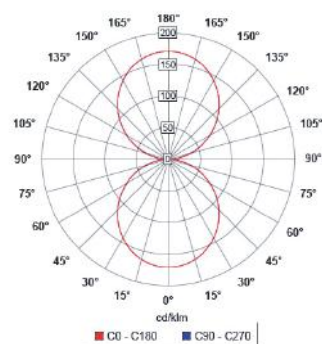
DALI 3 hour emergency

---

Direct Distribution



Direct/Indirect Distribution



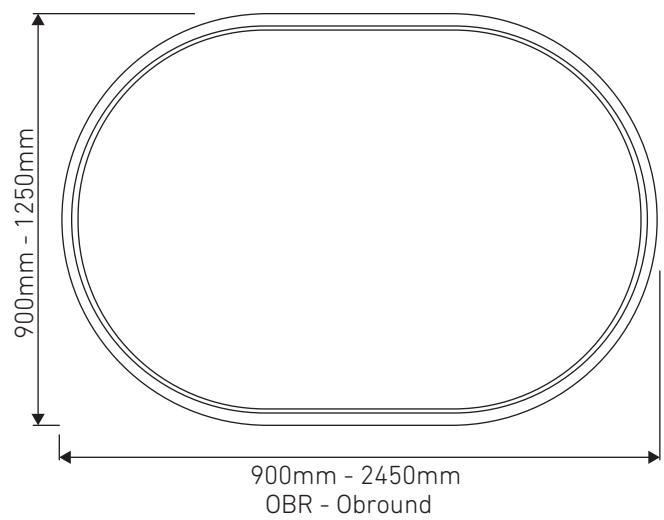
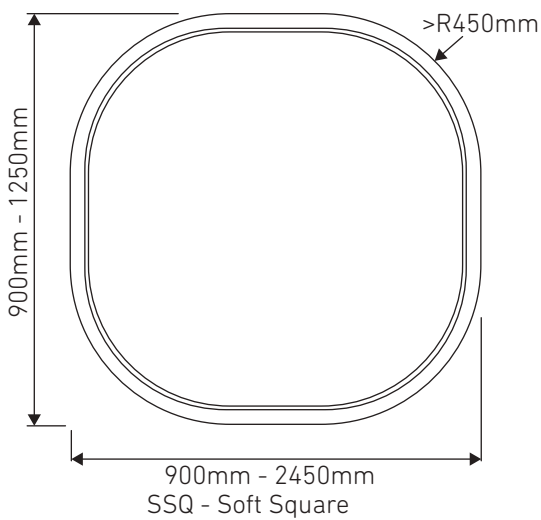
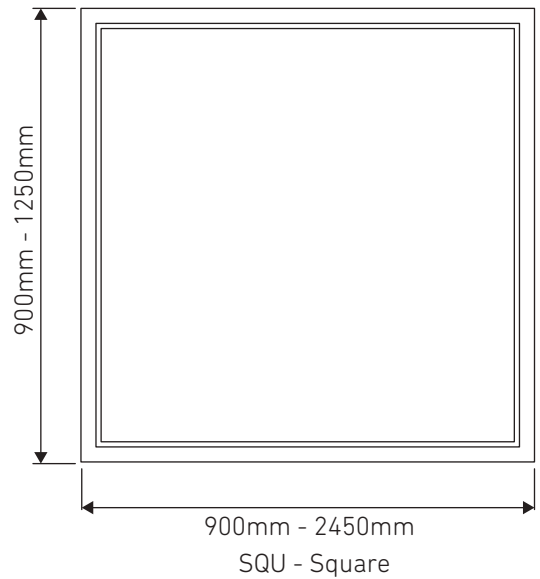
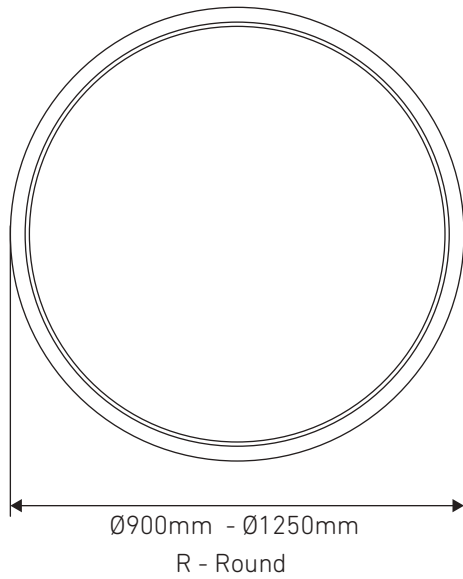
[Click here to navigate to the online Product Configurator.](#)



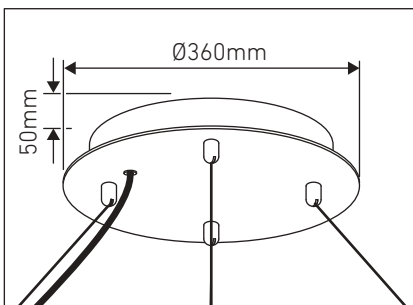
# Moonring 1 Acoustic

LIGHT FORMS

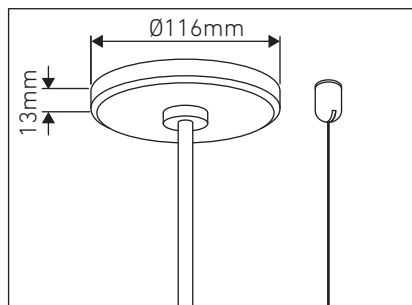
## Dimensions



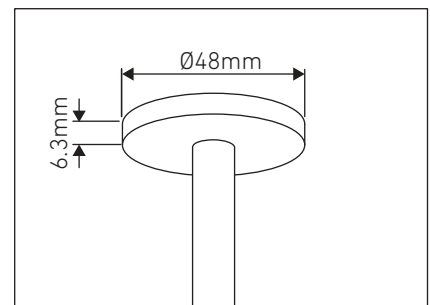
Number of suspension points may vary depending on size



CS - Central Suspended



VS - Vertical Suspended



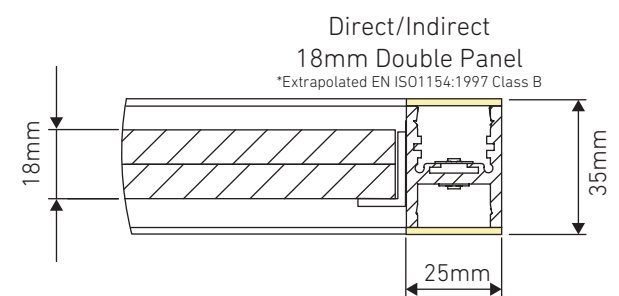
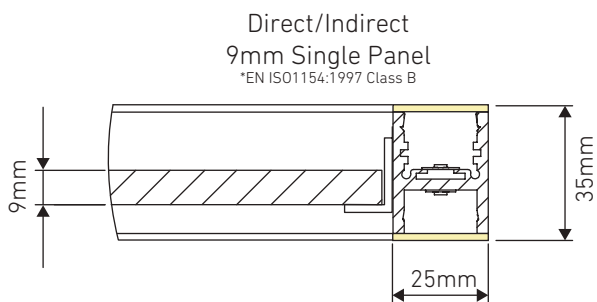
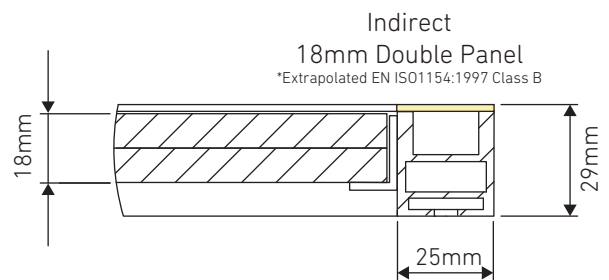
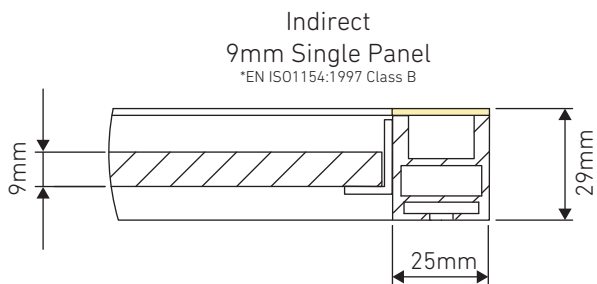
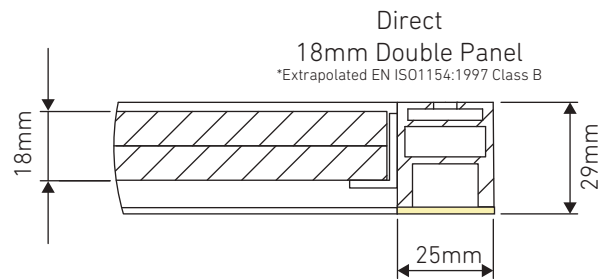
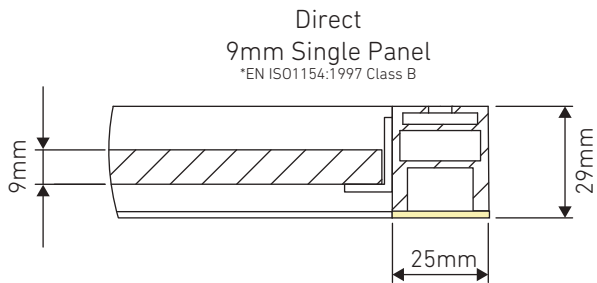
RD - Rod Suspended

\*Length to be confirmed by site, not adjustable on site

# Moonring 1 Acoustic

## LIGHT FORMS

### Dimensions



# Moonring 1 Acoustic

LIGHT FORMS

## Panel Colours

---



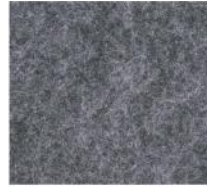
IW - Ice White



LS - Light Smoke



ST - Sandstone



DS - Dark Smoke



BG - Bottle Green



SY - Sunshine Yellow



PM - Pastel Maroon



GB - Glacier Blue



LG - Lichen Green



MB - Midnight Blue

# Moonring 1 Acoustic

## LIGHT FORMS

### Body Colours

	9005	Jet Black		7022	Umbra Grey
	9010	Pure White		7023	Concrete Grey
	1001	Beige		7024	Graphite Grey
	1002	Sand Yellow		7026	Granite Grey
	1007	Daffodil yellow		7030	Stone Grey
	1034	Pastel Yellow		7032	Pebble Grey
	1035	Pearl Beige		7035	Light Grey
	2004	Pure Orange		7037	Dusty Grey
	3011	Brown Red		7043	Traffic Grey B
	3012	Beige Red		7047	Telegrey 4
	4002	Red Violet		7048	Pearl Mouse Grey
	5001	Green Blue		8004	Copper Brown
	5002	Ultramarine Blue		8015	Chestnut Brown
	5008	Grey Blue		8019	Grey Brown
	5009	Azure Blue		8025	Pale Brown
	5011	Steel Blue		9001	Cream
	5012	Light Blue		9002	Grey White
	5013	Cobalt Blue		9003	Signal White
	5025	Pearl Gentian Blue		9004	Signal Black
	6000	Patina Green		9006	White Aluminium
	7009	green Grey		9007	Grey Aluminium
	7010	Tarpaulin Grey		9011	Graphite Black
	7012	Basalt Grey		9016	Traffic White
	7016	Anthracite Grey		9017	Traffic Black
	7021	Black Grey			

Light Forms also offers an extensive range of premium finishes, including specialist metallic finishes.



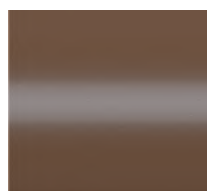
YW3871  
Ordos Sable



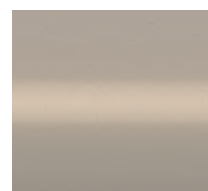
M3000I  
Nickel Metallic



S2304I  
Metallic Fine Texture



YX355F  
Mars Sable



YW255F  
Golden Beach



Y2205I  
Golden Splendour



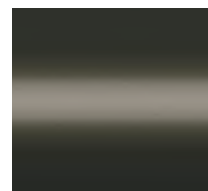
Y2M30I  
Dark Bronze



RW404I  
Copper Coarse



EW002E  
Aluminium Metallic  
Gloss



Y2214F  
Anodic Bronze



For full details  
and links to the  
Interpon powder  
range, click here.

### Notes

---

**L80 > 50,000 hours**  
**Luminous flux +/- 5%**

\*Data provided is for either direct OR indirect distribution; performance values are the same for both.

#Performance data is based on a connected-load photometric test of MED output with 80 CRI at 4000K using a DALI driver and DIFF lens. Data values for all other outputs are extrapolations.

### LENS options

DIFF is a white satin, flush diffuser lens that produces smooth, even light across the lens surface.



Diffuse  
**DIFF**

[Click here to navigate to the online Product Configurator.](#)

