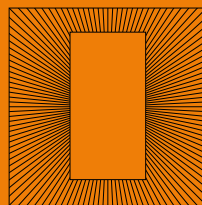


Lightplane Linear Recessed

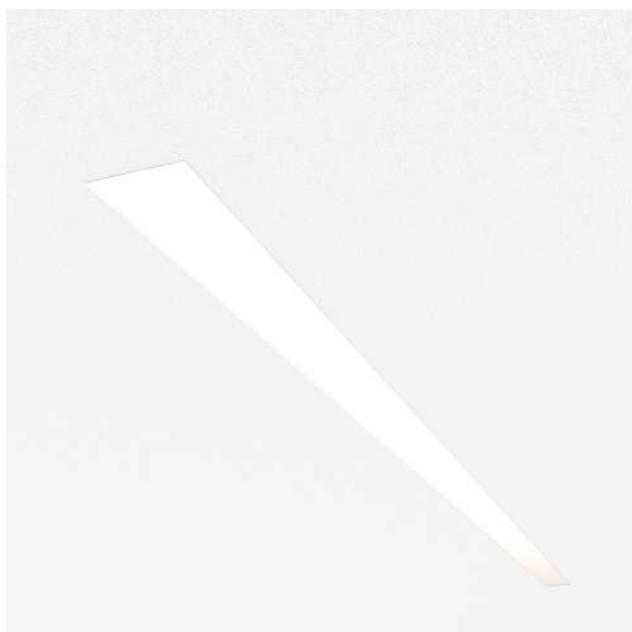
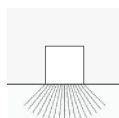
LPLR/LPLRT— LED
86/58 mm x 80 mm



LIGHT FORMS

Linear

Recessed



Features

Individual Fixture,
Continuous Run or
Configured Shape

Direct Distribution

Up to 6174 lumens/
meter and 144 lumens/
watt

Four Standard Output
Options

Tunable White, Low-
Glare and RGB+W Options

Integral Control Gear

Dimming Down to 0%

Appropriate product for
WELL compliant designs

Integral Sensor Options

Aluminium, White, Black,
Bronze or Custom RAL
Finish

Photometry and additional documentation at:
LightForms.com/products/linear/lightplane-linear-recessed/

Lightplane Linear Recessed

LIGHT FORMS

LPLR/LPLRT — Recessed

INSTRUCTIONS

Digital users: Check selection boxes and fill in fields directly in fillable, interactive PDF, save file, submit to Light Forms.

Manual users: Check selection boxes and fill in fields with pen, scan and save ALL pages as PDF document, submit to Light Forms.

1 **Base model / mounting** Select ONE

- LPLR Recessed-Trimless
- LPLRT Recessed- With Trim

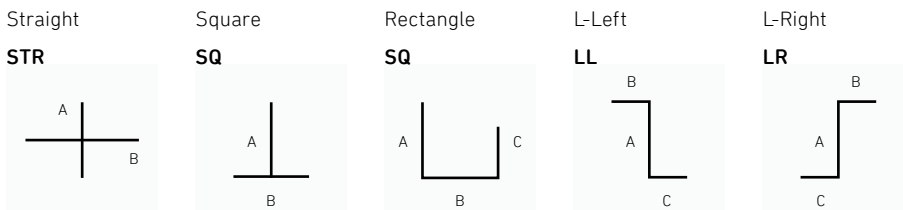
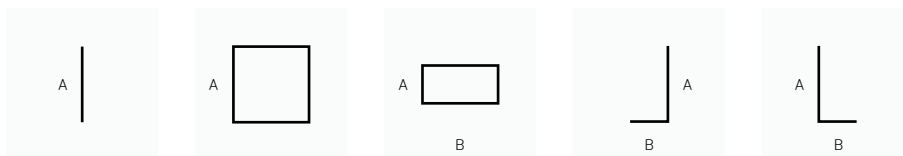
2 **Size*** Select ONE (linear or shape) and enter required length(s) in metres, ex: STR/20.5, US/9/7/6.5

Individual or continuous run

Linear Length A
 STR Straight

Configuration

Shape		Length A	Length B	Length C
SQ	Square	<input style="width: 50px;" type="text"/>		
REC	Rectangle	<input style="width: 50px;" type="text"/>	<input style="width: 50px;" type="text"/>	
LL	L - Left	<input style="width: 50px;" type="text"/>	<input style="width: 50px;" type="text"/>	
LR	L - Right	<input style="width: 50px;" type="text"/>	<input style="width: 50px;" type="text"/>	
CX	Cross	<input style="width: 50px;" type="text"/>	<input style="width: 50px;" type="text"/>	
TEE	T-Shape	<input style="width: 50px;" type="text"/>	<input style="width: 50px;" type="text"/>	
US	U-Shape	<input style="width: 50px;" type="text"/>	<input style="width: 50px;" type="text"/>	<input style="width: 50px;" type="text"/>
ZL	Zed - Left	<input style="width: 50px;" type="text"/>	<input style="width: 50px;" type="text"/>	<input style="width: 50px;" type="text"/>
ZR	Zed - Right	<input style="width: 50px;" type="text"/>	<input style="width: 50px;" type="text"/>	<input style="width: 50px;" type="text"/>



Cross T-Shape U-Shape Zed Left Zed Right
CX **TEE** **US** **ZL** **ZR**

Lightplane Linear Recessed

LIGHT FORMS

LPLR/LPLRT— Recessed

3 Direct linear lampping & lens Select ONE from EVERY category (note exceptions below)

Distribution	Output	CRI	CCT	Lens
<input type="checkbox"/> DIRECT	<input type="checkbox"/> MIN	<input type="checkbox"/> 80	<input type="checkbox"/> 2700K	<input type="checkbox"/> DIFF Opal
	<input type="checkbox"/> LOW	<input type="checkbox"/> 90	<input type="checkbox"/> 3000K	<input type="checkbox"/> OPRF Opal Prismatic
	<input type="checkbox"/> MED		<input type="checkbox"/> 3500K	<input type="checkbox"/> CPRF Low Glare Prismatic
	<input type="checkbox"/> HIGH		<input type="checkbox"/> 4000K	<input type="checkbox"/> HEPF High Efficiency Prismatic
	<input type="checkbox"/> TUNE/LOW*		<input type="checkbox"/> 6500K	
	<input type="checkbox"/> TUNE/MED*		<input type="checkbox"/> 2700-6500K	
	<input type="checkbox"/> RGBW^			

*TUNE/MED, CRI and CCT do not apply (leave unchecked).

^For RGBW, CRI does not apply (leave unchecked) and select 3000K or 4000K CCT only. White LEDs can remain uncommissioned for RGB-only output

4 Integral driver* Select ONE

<input type="checkbox"/> NONDIM	Non-dimmable
<input type="checkbox"/> DALI [#]	DALI driver, dimming down to 1%
<input type="checkbox"/> 1/10V	1-10V, dimming down to 1%
<input type="checkbox"/> DMX [^]	DMX driver, dimming down to 1%
<input type="checkbox"/> WLS	Wireless

#DALI is required for use with TUNE/LOW and TUNE/MED; DALI (or DMX) is required for RGBW

^DMX (or DALI) is required for use with RGBW

5 Finish* Select ONE

<input type="checkbox"/> AL	Anodised aluminium (standard)
<input type="checkbox"/> WH	White powdercoat
<input type="checkbox"/> BLK	Black powdercoat
<input type="checkbox"/> BZ	Metallic bronze powdercoat
<input type="checkbox"/> RAL/ _____	Custom RAL [#] colour powdercoat, ex: RAL/3000

*Contact factory for additional finish options including Interpon, Farrow & Ball and silver and gold plating

[#]See RAL colour options and codes at lightforms.com/products/linear/lightplane-linear-recessed/

Lightplane Linear Recessed

LIGHT FORMS

LPLR/LPLRT — Recessed

6

Optional add-ons

Select as many as apply

A

EMERGENCY

EM

Integral, 3-hour emergency battery, manual testing

EM/DALI

Integral, 3-hour emergency battery with DALI interface, automatic testing

B

SENSOR

SMS

Standard motion sensor

DALI/PRES

Integral, DALI-compatible PIR presence detector

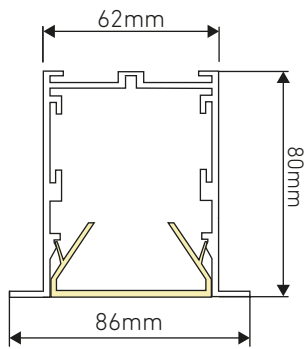
Lightplane Linear Recessed

LIGHT FORMS

LPLR/LPLRT— Recessed

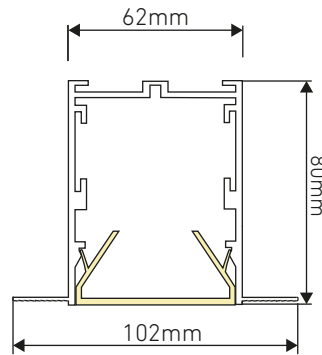
Dimensions

Direct only



Cut out: 74mm

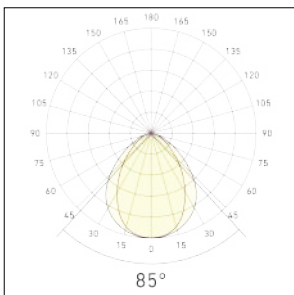
Trim



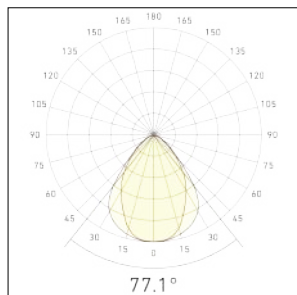
Cut out: 64mm

Trimless

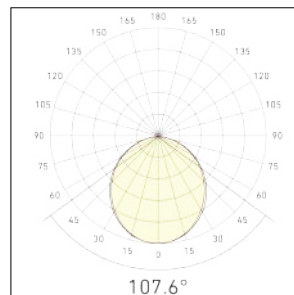
Distribution



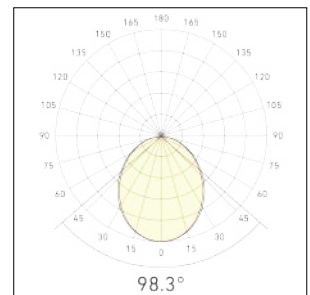
High Efficiency Prismatic



Low Glare Prismatic



Opal Flush



Opal Prismatic

Lightplane Linear Recessed

LIGHT FORMS

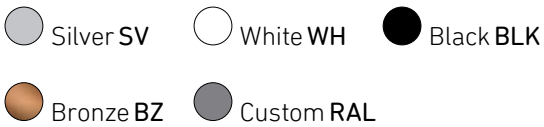
LPLR/LPLRT — Recessed

Housing

100% recyclable, extruded architectural grade aluminium with minimum 2mm thickness.

Finish options

Silver, White, Black, Bronze or custom RAL powdercoat. Contact Light Forms for other finish options (Interpon, Farrow & Ball, and silver and gold plating).



Integral sensors

Optional, presence (PRES), DALI-compatible PIR presence (DALI/PRES). Contact Light Forms for further information.



Weight

Approximately 3192 grams per linear metre. Weight will increase with the addition of sensors, and emergency batteries and may vary further depending on mounting and other options.

Operating temperature

Luminaire MUST be installed and operated ONLY in dry or damp environments where the ambient temperature ranges from -20°C to 50°C. Luminaire operation in environments outside this temperature range voids the warranty AND may damage the product or adversely impact lamp life, lumen output and colour consistency.

Warranty

5-year limited warranty.

Manufacturing & certification

Products are manufactured in and comply with the health, safety and environmental protection standards of the respective region in which they are sold.



Europe



United Kingdom



Greater India and Middle East