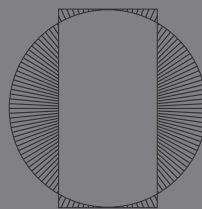


# Lightplane 1 Wall Washer

LP1WWT— LED  
58 x 57 mm



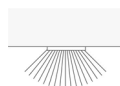
**LIGHT FORMS**

Wash/Graze

## Specification



## Recessed



## Features

Individual Fixture or  
Continuous Run

Direct Distribution

Up to 3000 LM/M

Three Standard Output  
Options

Tunable White and RGB+W  
Options

Remote Control Gear

DALI, DMX, 10V or Phase  
Driver

Dimming Down to 0%

Remote Sensor Options

Aluminium, White, Black,  
Bronze or Custom RAL  
Finish

Photometry and additional documentation at:

[LightForms.com/products/wash-graze/lightplane-1-wall-washer-recessed-trim/](https://LightForms.com/products/wash-graze/lightplane-1-wall-washer-recessed-trim/)

**LightForms.com**

Page 1

Europe@

[LightForms.com](mailto:LightForms.com)

Asia@

[LightForms.com](mailto:LightForms.com)

Manchester@

[LightForms.com](mailto:LightForms.com)

# Lightplane 1 Wall Washer

LIGHT FORMS

LP1WWT— Recessed

## INSTRUCTIONS

**Digital users:** Check selection boxes and fill in fields directly in fillable, interactive PDF, save file, submit to Light Forms.  
**Manual users:** Check selection boxes and fill in fields with pen, scan and save ALL pages as PDF document, submit to Light Forms.

**1** Base model / mounting Select ONE

---

LP1WWT Recessed Wall Washer

**2** Size\* Select ONE (linear) and enter required length(s) in metres

---

### Individual or continuous run

Linear Length A  
 STR Straight

**3** Direct linear lamping Select NONE or ONE from EVERY category (note exceptions below)

---

Output	CRI	CCT
<input type="checkbox"/> MIN	<input type="checkbox"/> 80	<input type="checkbox"/> 2700K
<input type="checkbox"/> LOW	<input type="checkbox"/> 90	<input type="checkbox"/> 3000K
<input type="checkbox"/> MED		<input type="checkbox"/> 3500K
<input type="checkbox"/> TUNE/LOW*		<input type="checkbox"/> 4000K
<input type="checkbox"/> TUNE/MED*		<input type="checkbox"/> 6500K
<input type="checkbox"/> RGBW^		

\*For TUNE/LOW and TUNE/MED, CRI and CCT do not apply (leave unchecked).

^For RGBW, CRI does not apply (leave unchecked) and select 3000K or 4000K CCT only.

White LEDs can remain uncommissioned for RGB-only output.

**4** Integral driver\* Select ONE

---

NONDIM Non-dimming

DALI# DALI driver, dimming down to 1%

1/10V 1-10V, dimming down to 1%

0/10V 0-10V, dimming down to 0%

DMX^ DMX driver, dimming down to 1%

PHASE For use with phase-cut triac, IGBT or sine wave dimmer switches

\*Driver selection applies to direct, indirect and/or downlight spots. Contact Light Forms if separate driver types for each are required. #DALI is required for use with TUNE/LOW and TUNE/MED; DALI (or DMX) is required for RGBW

^DMX (or DALI) is required for use with RGBW

# Lightplane 1 Wall Washer

LIGHT FORMS

LP1WWT— Recessed

<b>5</b>	<b>Finish*</b>	Select ONE
<input type="checkbox"/> AL	Anodised aluminium (standard)	
<input type="checkbox"/> WH	White powdercoat	
<input type="checkbox"/> BLK	Black powdercoat	
<input type="checkbox"/> BZ	Metallic bronze powdercoat	
<input type="checkbox"/> RAL/ ____	Custom RAL# colour powdercoat, ex: RAL/3000	

\*Contact factory for additional finish options including Interpon, Farrow & Ball and silver and gold plating

<b>6</b>	<b>Optional add-ons</b>	Select as many as apply
<b>A</b>	<b>EMERGENCY</b>	
<input type="checkbox"/> EM	Remote, 3-hour emergency battery, manual testing	
<input type="checkbox"/> EM/DALI	Remote, 3-hour emergency battery with DALI interface	
<input type="checkbox"/> EMPRO/DALI	Remote, 3-hour DALI EMPRO Emergency Driver/Battery	
<b>B</b>	<b>SENSOR</b>	
<input type="checkbox"/> PRES	Remote, PIR presence detector	
<input type="checkbox"/> DALI/PRES	DALI PIR Sensor	
<b>C</b>	<b>OTHER</b>	
<input type="checkbox"/> OTHER	Contact Factory	

# Lightplane 1 Wall Washer

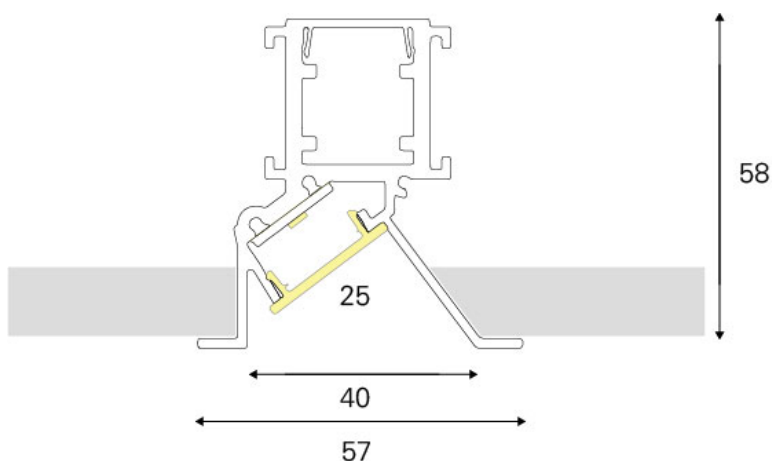
LIGHT FORMS

LP1WWT— Recessed

## Dimensions

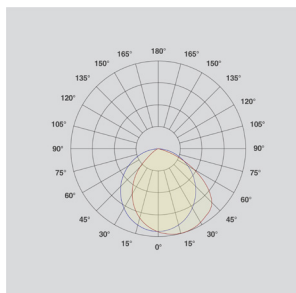
---

Direct only



## Distribution

---



# Lightplane 1 Wall Washer

**LIGHT FORMS**

LP1WWT— Recessed

## Linear lighting – options & performance data\*

Output Options	Delivered Lumens LM	Watts W	Efficacy LM/W	CRI Options	CCT Options
MIN	884	12.8	69	80 90	2700K 3000K 3500K 4000K 5000K 6500K
LOW	1132	14	81		
MED	2222	29	77		
TUNE/LOW	Tunable White Low 1068	11.8	91	80	2700K-6500K
TUNE/MED	Tunable White Med 1944	22.6	86	80	2700K-6500K
RGBW	Colour Changing RGB+White  N/A (entire system)  690 (white only)	N/A (entire system) 19.5	N/A (entire system) 35	N/A (entire system) 80	3000K 4000K

**L80 > 50,000 hours**

**Luminous flux +/- 5%**

\*Data provided is for either direct OR indirect distribution; performance values are the same for both.

Performance data is based on a connected-load photometric test of MED output with 80 CRI at 4000K using a DALI driver and DIFF lens. Data values for all other outputs are extrapolations.

# Lightplane 1 Wall Washer

LIGHT FORMS

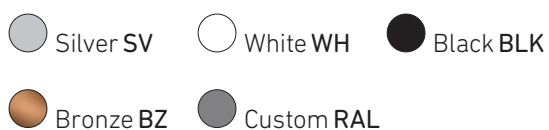
LP1WWT— Recessed

## Housing

100% recyclable, extruded architectural grade aluminium with minimum 2mm thickness.

## Finish options

Silver, White, Black, Bronze or custom RAL powdercoat. Contact Light Forms for other finish options (Interpon, Farrow & Ball, and silver and gold plating).



## Manufacturing & certification

Products are manufactured in and comply with the health, safety and environmental protection standards of the respective region in which they are sold.



Europe



United Kingdom



Greater India  
and Middle East

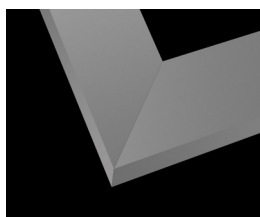
## Remote sensors

Optional, presence (PRES), DALI-compatible PIR presence (DALI/PRES) and daylight harvesting (PHOTO) sensors available. Contact Light Forms for further information.

## Options

Miltered Corners.

Consult factory for miltered corner angle options.



Miltered Corners.

## Warranty

5-year limited warranty.