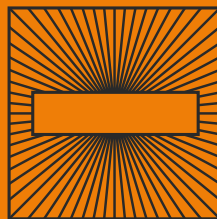


# GlowBeam Recessed

GBR— LED

130 mm x 76 mm(Visible beam height)

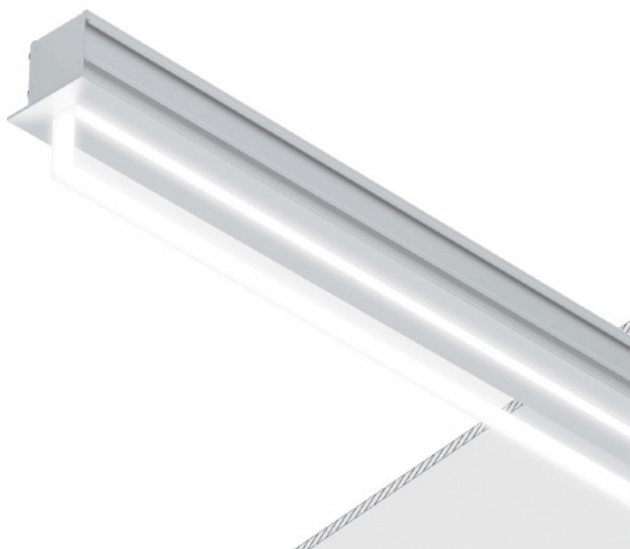
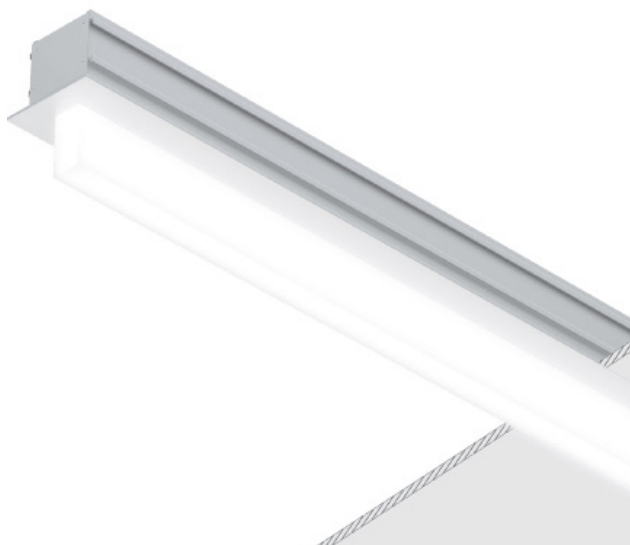
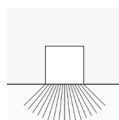


LIGHT FORMS

Linear

## Specification

### Recessed



### Features

Recessed Luminaire  
with a Protruded  
Acrylic Light Conveyor

Four Lengths:

615mm

915mm

1215mm

1515mm

Direct Distribution

Up to 3937 LM

and 69 LM/W

Four Standard  
Output Options

Tunable White and  
RGB+W Options

Integral DALI, DMX, 10V or  
Phase Driver

Dimming Down to 0%

Remote Sensor Options

Aluminium, White, Black,  
Bronze or Custom RAL  
Finish

Photometry and additional documentation at:  
[LightForms.com/products/linear/glowbeam-recessed/](https://LightForms.com/products/linear/glowbeam-recessed/)

# GlowBeam Recessed

LIGHT FORMS

GBR — Recessed Mounting with Protruded Light Conveyer

## INSTRUCTIONS

**Digital users:** Check selection boxes and fill in fields directly in fillable, interactive PDF, save file, submit to Light Forms.  
**Manual users:** Check selection boxes and fill in fields with pen, scan and save ALL pages as PDF document, submit to Light Forms.

**1**                                      **Base model / mounting**                                      Select ONE

---

- GBR-PB                                      Recessed, Plasterboard Ceiling
- GBR-DT                                      Recessed, Drop Tile Ceiling
- GBR-O                                      Recessed, Other Ceiling Type

**2**                                      **Size\*** Select ONE (linear or shape) and enter required length(s) in metres, ex: STR/20.5, US/9/7/6.5

---

- 615                                      615mm overall length
- 915                                      915mm overall length
- 1215                                      1215mm overall length
- 1515                                      1515mm overall length

# GlowBeam Recessed

LIGHT FORMS

GBR — Recessed Mounting with Protruded Light Conveyor

**3** Direct linear lamping & lens Select NONE or ONE from EVERY category (note exceptions below)

Output	CRI	CCT	ACRYLIC BEAM LENS	
<input type="checkbox"/> MIN	<input type="checkbox"/> 80	<input type="checkbox"/> 2700K	<input type="checkbox"/> OPAQ	Opag acrylic with all sides fully frosted
<input type="checkbox"/> LOW	<input type="checkbox"/> 90	<input type="checkbox"/> 3000K		
<input type="checkbox"/> MED		<input type="checkbox"/> 3500K		
<input type="checkbox"/> HI		<input type="checkbox"/> 4000K	<input type="checkbox"/> TRANS	Transparent acrylic with frosted edges only
<input type="checkbox"/> TUNE/LOW*		<input type="checkbox"/> 5000K		
<input type="checkbox"/> TUNE/MED*		<input type="checkbox"/> 6500K		
<input type="checkbox"/> RGBW^				

\*For TUNE/LOW and TUNE/MED, CRI and CCT do not apply (leave unchecked).

^For RGBW, CRI does not apply (leave unchecked) and select 3000K or 4000K CCT only. White LEDs can remain uncommissioned for RGB-only output

**4** Integral driver\* Select ONE

<input type="checkbox"/> NONDIM	Non-dimmable
<input type="checkbox"/> DALI#	DALI dimming
<input type="checkbox"/> 1/10V	1-10V, dimming
<input type="checkbox"/> DMX^	DMX driver, dimming down to 1%
<input type="checkbox"/> PHASE	For use with phase-cut triac, IGBT or sine wave dimmer switches

#DALI is required for use with TUNE/S; DALI (or DMX) is required for RGB/S

^DMX (or DALI) is required for use with RGBW

**5** Finish\* Select ONE

<input type="checkbox"/> AL	Anodised aluminium (standard)
<input type="checkbox"/> WH	White powdercoat
<input type="checkbox"/> BLK	Black powdercoat
<input type="checkbox"/> BZ	Metallic bronze powdercoat
<input type="checkbox"/> RAL/ _____	Custom RAL# colour powdercoat, ex: RAL/3000

\*Contact factory for additional finish options including Interpon, Farrow & Ball and silver and gold plating

#See RAL colour options and codes at [lightforms.com/products/linear/glowbeam-recessed/](https://lightforms.com/products/linear/glowbeam-recessed/)

GBR — Recessed Mounting with Protruded Light Conveyor

6

Optional add-ons

Select as many as apply

A

**EMERGENCY**

EM

Integral, 3-hour emergency battery, manual testing

EM/DALI

Integral, 3-hour emergency battery with DALI interface, automatic testing

EC

Emergency circuit

B

**SENSOR**

PRES

Integral, PIR presence detector

DALI/PRES

Integral, DALI-compatible PIR presence detector

PHOTO

Integral, photocell/daylight detector

C

**WIRELESS CONTROL**

OLP\*

Integral, Osram Lightify Pro wireless control module

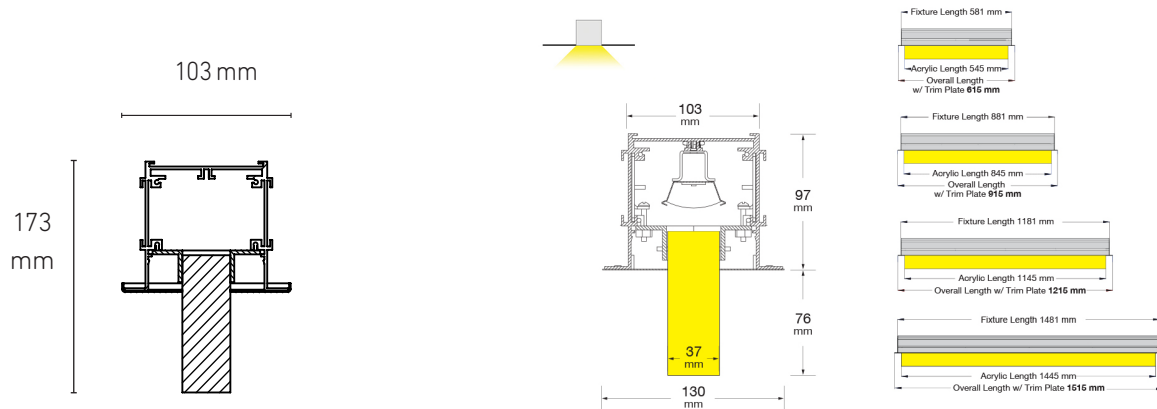
\*Must choose DALI option in DRIVER section.

# GlowBeam Recessed

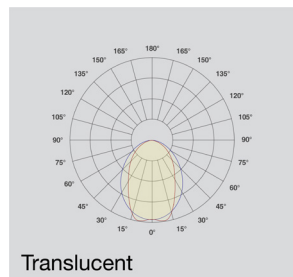
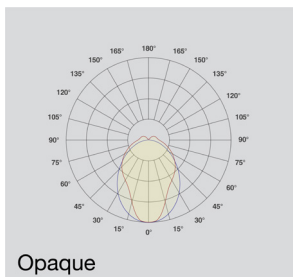
## LIGHT FORMS

GBR — Recessed Mounting with Protruded Light Conveyer

### Dimensions



### Distribution



GBR — Recessed Mounting with Protruded Light Conveyor

### DIRECT LED LAMPING – options & performance data\*

Output Options	Size/Lens Options Length in MM/STYLE	Delivered Lumens LM	Watts W	Efficacy LM/W	CRI Options	CCT Options	Weight G
MIN#	615 / OPAQ	325	6.7	48	80 90	2700K 3000K 3500K 4000K 5000K 6500K	5450
	615 / TRANS	345		51			
	915 / OPAQ	487	10.1	48			8450
	915 / TRANS	517		51			
	1215 / OPAQ	650	13.4	48			11450
	1215 / TRANS	690		51			
	1515 / OPAQ	812	16.8	48			14450
	1515 / TRANS	862		51			
Low#	615 / OPAQ	465	7.5	62	80 90	2700K 3000K 3500K 4000K 5000K 6500K	5450
	615 / TRANS	493		66			
	915 / OPAQ	697	11.3	62			8450
	915 / TRANS	740		66			
	1215 / OPAQ	930	15	62			11450
	1215 / TRANS	987		66			
	1515 / OPAQ	1162	18.8	62			14450
	1515 / TRANS	1233		66			
Med#	615 / OPAQ	906	14	65	80 90	2700K 3000K 3500K 4000K 5000K 6500K	5450
	615 / TRANS	962		69			
	915 / OPAQ	1359	21	65			8450
	915 / TRANS	1443		69			
	1215 / OPAQ	1812	28	65			11450
	1215 / TRANS	1924		69			
	1515 / OPAQ	2265	35	65			14450
	1515 / TRANS	2405		69			

See More Direct Lamping Options & Performance Data on Next Page...

# GlowBeam Recessed

## LIGHT FORMS

GBR — Recessed Mounting with Protruded Light Conveyer

Cont'd...DIRECT LED LAMPING— options & performance data\*

Output Options	Size/Lens Options Length in MM/STYLE	Delivered Lumens LM	Watts W	Efficacy LM/W	CRI Options	CCT Options	Weight G
HI#	615/OPAQ	1497	25	60	80 90	2700K 3000K 3500K 4000K 5000K 6500K	5450
	615/TRANS	1589		64			
	915/OPAQ	2245	37.5	60			8450
	915/TRANS	2384		64			
	1215/OPAQ	2994	49.5	60			11450
	1215/TRANS	3179		64			
	1515/OPAQ	3742	62.4	60			14450
	1515/TRANS	3973		64			
TUNE/ Low#	615/OPAQ	373	7.8	48	80 90	2700K 3000K 3500K 4000K 5000K 6500K	5450
	615/TRANS	396		51			
	915/OPAQ	559	11.8	48			8450
	915/TRANS	594		51			
	1215/OPAQ	746	15.7	48			11450
	1215/TRANS	792		51			
	1515/OPAQ	932	19.6	48			14450
	1515/TRANS	990		51			
TUNE/ Med#	615/OPAQ	529	12.3	43	80 90	2700K 3000K 3500K 4000K 5000K 6500K	5450
	615/TRANS	561		46			
	915/OPAQ	793	18.5	43			8450
	915/TRANS	842		46			
	1215/OPAQ	1057	24.6	43			11450
	1215/TRANS	1122		46			
	1515/OPAQ	1322	30.8	43			14450
	1515/TRANS	1403		46			

See More Direct Lamping Options & Performance Data on Next Page...

GBR — Recessed Mounting with Protruded Light Conveyer

Cont'd... DIRECT LED LAMPING – options & performance data\*

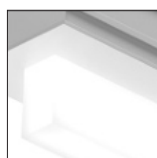
Output Options	Size/Lens Options Length in MM/STYLE	Delivered Lumens LM	Watts W	Efficacy LM/W	CRI Options	CCT Options	Weight G
RGBW	615 / OPAQ	System-N/A	10.8	N/A	N/A (entire system) 80 (white only)	3000K 4000K	5450
		White only-110	5	22			
	615 / TRANS	System-N/A	10.8	N/A			
		White only-116	5	23			
	915 / OPAQ	System-N/A	16.1	N/A			
		1215/TRANS	White only-165	7.6			22
	915 / TRANS	System-N/A	16.1	N/A			
		White only-175	7.6	23			
	1215 / OPAQ	System-N/A	21.5	N/A			
		White only-220	10.8	22			
	1215 / TRANS	System-N/A	10.8	N/A			
		White only-233	10.8	23			
1515 / OPAQ	System-N/A	26.9	N/A				
	White only-274	12.6	22				
1515 / TRANS	System-N/A	26.9	N/A				
	White only-291	12.6	23				

L80 > 50,000 hours  
Luminous flux +/- 5%

#Performance data is based on a connected-load photometric test of MED output with 80 CRI at 4000K using a DALI driver. Data values for all other outputs are extrapolations.

### Acrylic Lens Beam

OPAQ is an opaque acrylic beam that is fully frosted on all sides and surfaces. TRANS is a transparent acrylic beam with frosted ends and bottom.



Opaque  
OPAQ



Translucent  
TRANS



# GlowBeam Recessed

LIGHT FORMS

GBR — Recessed Mounting with Protruded Light Conveyer

## Housing

100% recyclable, extruded architectural grade aluminium with minimum 2mm thickness.

## Finish options

Standard finish is "Ultimatte" aluminium - a smooth, clean and durable finish achieved from a deep etch, two-step clear anodising process. White, Black, Bronze or custom RAL powdercoat options are also specifiable. Contact Light Forms for other finish options (Interpon, Farrow & Ball, and silver and gold plating).



## Recessed Mounting & Ceiling Types

Light Forms' recessed luminaires are designed to be installed into a multitude of hard surface and drop tile ceilings. Select appropriate type on Page 2 and enter in any and all know details such as material, thickness, manufacturer, model number and size. Specific mounting options and drawings will be provided once the product is specified and ordered.

## Remote sensors

Optional, presence (PRES), DALI-compatible PIR presence (DALI/PRES) and daylight harvesting (PHOTO) sensors available. Contact Light Forms for further information.

## Weight

Approximately 5450-14450 grams per unit. Weight may vary depending on mounting and other options.

## Operating temperature

Luminaire MUST be installed and operated ONLY in dry or damp environments where the ambient temperature ranges from -20°C to 50°C. Luminaire operation in environments outside this temperature range voids the warranty AND may damage the product or adversely impact lamp life, lumen output and colour consistency.

## Warranty

5-year limited warranty.

## Manufacturing & certification

Products are manufactured in and comply with the health, safety and environmental protection standards of the respective region in which they are sold as indicated below.



Europe



United Kingdom



Greater India and Middle East