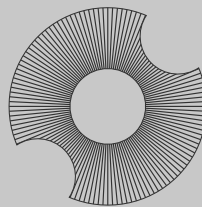


Carina Large 115

Carina Large 115
93 mm x 115 mm dia.



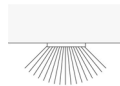
LIGHT FORMS

Spot

Specification



Recessed



Features

- Recessed
- Direct Distribution
- IP65 Rated
- Up to 2929 LM and 95.8 LM/W
- Three Output Options
- 4 Beam Spreads
- Dimming Down to 0%
- Remote Sensor Options
- Aluminium, White, Black, Bronze or Custom RAL Finish

Photometry and additional documentation at:
[LightForms.com/Spot/Carina-Large](https://www.lightforms.com/Spot/Carina-Large)

Carina Large 115

LIGHT FORMS

Carina Large 115—Recessed Spotlight

INSTRUCTIONS

Digital users: Check selection boxes and fill in fields directly in fillable, interactive PDF, save file, submit to Light Forms.
Manual users: Check selection boxes and fill in fields with pen, scan and save ALL pages as PDF document, submit to Light Forms.

1 Base model / mounting

Recessed Downlight

2 Spot Options Select ONE from EVERY category (note exceptions below)

Beam Degree	Output	CRI	CCT
<input type="checkbox"/> 15	<input type="checkbox"/> MIN	<input type="checkbox"/> 80	<input type="checkbox"/> 2700K
<input type="checkbox"/> 24	<input type="checkbox"/> LOW	<input type="checkbox"/> 90	<input type="checkbox"/> 3000K
<input type="checkbox"/> 40	<input type="checkbox"/> MED		<input type="checkbox"/> 3500K
<input type="checkbox"/> 60			<input type="checkbox"/> 4000K

^oIf selecting any indirect output below, HI is NOT an option here for direct. Max output for direct/indirect is MED/MED.

*For TUNE/S, CRI and CCT do not apply (leave unchecked).

^For RGBW, CRI does not apply (leave unchecked) and select 3000K or 4000K CCT only.

White LEDs can remain uncommissioned for RGB-only output.

3 Integral driver* Select ONE

- NONDIM** Non-dimming
- DALI#** DALI driver, dimming down to 1%
- PHASE** For use with phase-cut triac, IGBT or sine wave dimmer switches

Carina Large 115

Carina Large 115—Recessed Spotlight

LIGHT FORMS

4 **Finish*** Select ONE

- AL** Anodised aluminium (standard)
- WH** White powdercoat
- BLK** Black powdercoat
- BZ** Metallic bronze powdercoat
- RAL/ ____** Custom RAL# colour powdercoat, ex: RAL/3000

*Contact factory for additional finish options including Interpon, Farrow & Ball and silver and gold plating

5 **Optional add-ons** Select as many as apply

A **EMERGENCY**

- EM** Remote, 3-hour emergency battery, manual testing
- EM/DALI** Remote, 3-hour emergency battery with DALI interface, automatic testing
- EC** Emergency circuit

B **SENSOR**

- PRES** Remote, PIR presence detector
- DALI/PRES** Remote, DALI-compatible PIR presence detector PHOTO Remote, photocell/daylight detector
- PHOTO** Remote, Photocell/ daylight detector

C **WIRELESS CONTROL**

- OLP*** Remote, Osram Lightify Pro wireless control module

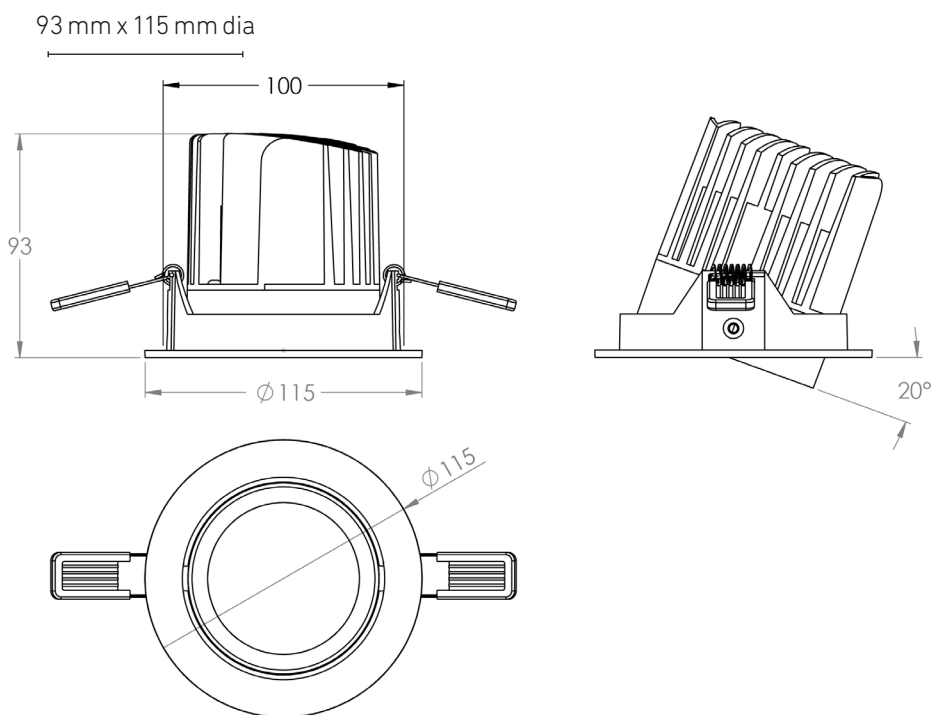
*Must choose DALI option in DRIVER section.

Carina Large 115

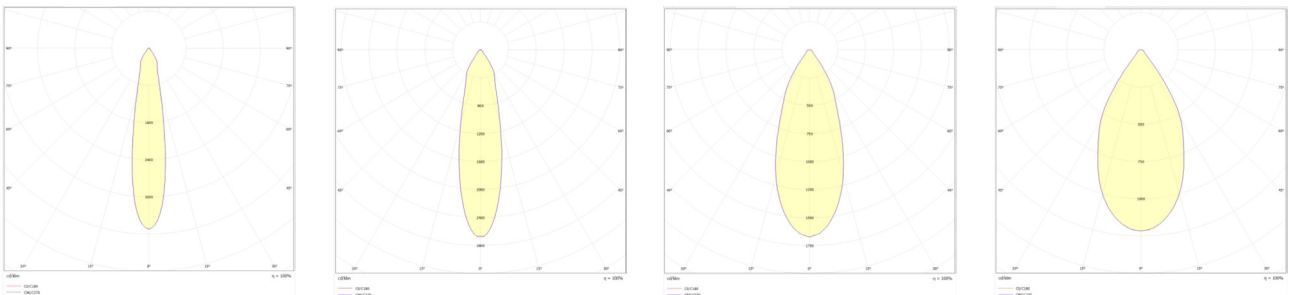
Carina Large 115 — Recessed Spot

LIGHT FORMS

Dimensions



Distribution



15°

24°

40°

60°

Carina Large 115

Carina Large 115— Recessed Spot

LIGHT FORMS

Lamping – options & performance data*

Output Options	Beam Degree	Delivered Lumens LM	Watts W	Efficacy LM/W	CRI Options	CCT Options
Min	15	2203	23	95.8	80	2700K
	24	2082		90.5		3000K
	40	2141		93.1		3500K
	60	2157		93.8		4000K
Low	15	2603	27.2	95.7	80	2700K
	24	2460		90.4		3000K
	40	2530		93.0		3500K
	60	2548		93.7		4000K
Med	15	2991	31.3	95.6	80	2700K
	24	2827		90.3		3000K
	40	2908		92.9		3500K
	60	2929		93.6		4000K

L80 > 50,000 hours

Luminous flux +/- 5%

#Performance calculations are based on connected-load photometric tests with with 80 CRI and 4000K.

Carina Large 115

Carina Large 115— Recessed Spot

LIGHT FORMS

Housing

100% recyclable, extruded architectural grade aluminium with minimum 2mm thickness.

Finish options

Silver, White, Black, Bronze or custom RAL powdercoat. Contact Light Forms for other finish options (Interpon, Farrow & Ball, and silver and gold plating).



Silver **SV**



White **WH**



Black **BLK**



Bronze **BZ**



Custom **RAL**

View all RAL colour options at:

<https://lightforms.com/RAL>

Remote sensors

Optional, presence (PRES), DALI-compatible PIR presence (DALI/PRES) and daylight harvesting (PHOTO) sensors available. Contact Light Forms for further information.

Operating temperature

Luminaire **MUST** be installed and operated **ONLY** in dry or damp environments where the ambient temperature ranges from -20°C to 50°C. Luminaire operation in environments outside this temperature range voids the warranty **AND** may damage the product or adversely impact lamp life, lumen output and colour consistency.

Warranty

5-year limited warranty.

Manufacturing & certification

Products are manufactured in and comply with the health, safety and environmental protection standards of the respective region in which they are sold.



Europe



United Kingdom



Greater India
and Middle East