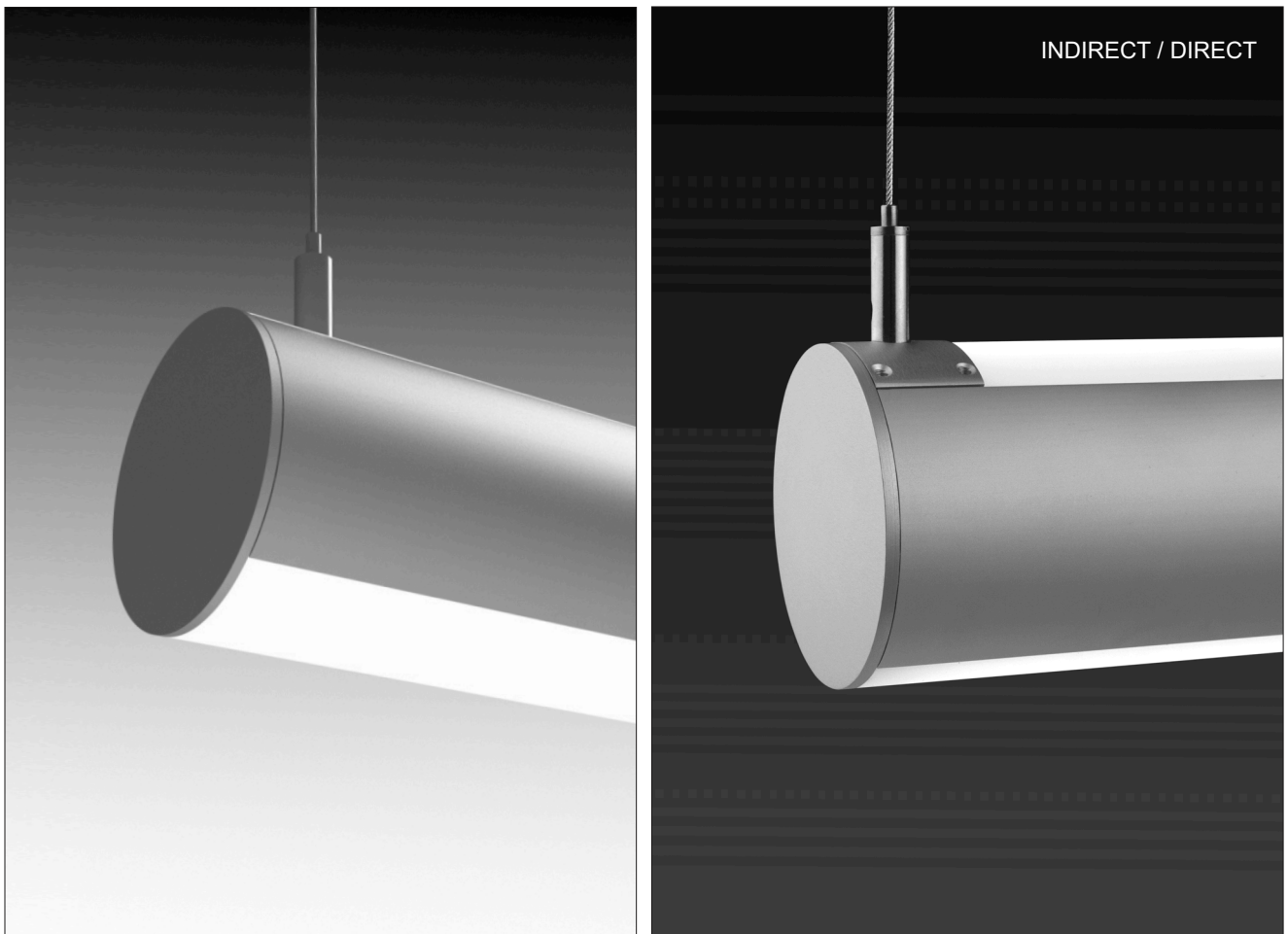


ROUND LIGHTPLANE 3 - RLP3

Indirect / Direct Suspended



ROUND LIGHTPLANE 3 - RLP3

Indirect / Direct Suspended



1. Base Model

RPLP3-SD	Suspended (Direct)
RPLP3-SID	Suspended (Indirect / Direct)

2. Run Length

Enter length in mm for custom lengths.
See **Standard Lengths and Shapes** PDF for standard products.

3. LED Lamping (indirect) - specify "NOUP for no indirect lamping

INDMED - **xxxxK** (example: MED-4000K)

INDHI - **xxxxK** (example: HI-4000K)

INDCV - **xxxxK**

INDSTD - TW
INDHI - TW
INDSTD - RGBW - **xxxxK**

INDHI - RGBW - **xxxxK**

4. LED Lamping (direct)

MED - **xxxxK** (example: MED-4000K)

Medium Output, 3115 delivered lm/M, 28W/M, 111 lm/W @ 4000K
2700K 3000K 3500K 4000K

HI - **xxxxK** (example: HI-4000K)

High Output, 5080 delivered lm/M, 50W/M, 102 lm/W @ 4000K
2700K 3000K 3500K 4000K

CV - **xxxxK**

Additional LED Options

Constant Voltage (for custom lengths)- 1615 lm/M, 20W/M - @4000K
2700K 3000K 3500K 4000K 5000K 6500K

STD - TW

Tunable White (2700K - 6500K) STD Output LED - 2760 lm/M, 18.5 W/M

HI - TW

Tunable White (2700K - 6500K) HI Output LED - 2070 lm/M, 30 W/M

STD - RGBW - **xxxxK**

Standard Output - RGB+WHITE - 24V - 481 lm/M - 9.6 W/M

HI - RGBW - **xxxxK**

2700K 3000K 3500K 4000K 6500K

High Output - RGB+WHITE - 24V - 892 lm/M - 17.4 W/M

2700K 3000K 3500K 4000K 6500K

ROUND LIGHTPLANE 3 - RLP3

Indirect / Direct Suspended

**LIGHT
FORMS**

5. Driver

1-10V	1-10V dimming
DALI	DALI dimming
DMX	DMX dimming
NONDIM	Non-dimmable
OTHER	(Consult factory for options)

6. Finish

AL	Standard, natural aluminium
BK	Black powdercoat
WH	White powdercoat
RAL/ ____	Specify RAL powdercoat (ex: #RAL/3003)
BRONZE	Bronze powdercoat

7. Canopy

NC	No canopy (for Wall mounted)
STD	Standard canopy & separate suspension
COMBO	Combo suspension canopy
SMALL	Small canopy & separate suspension

8. Additional options

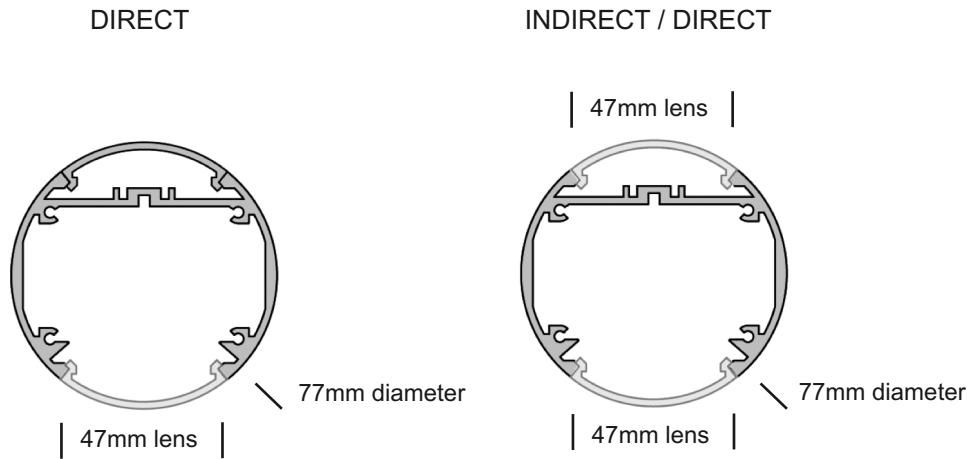
EM	3 hour Emergency Kit
DALIEM	3 hour DALI Emergency Driver/Battery
DALIEMPRO	3 hour DALI EMPRO Emergency Driver/Battery
PIR-A	PIR Absence Detector
PIR-P	PIR Presence Detector
DALIPIR	DALI PIR Sensor
OTHER	Contact Factory

ROUND LIGHTPLANE 3 - RLP3

Indirect / Direct Suspended

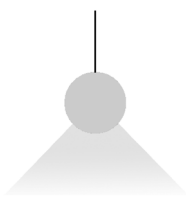
**LIGHT
FORMS**

Dimensions

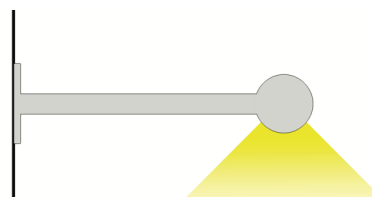


Mounting Options

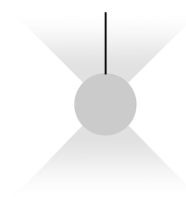
RLP3-SD
Suspended Direct



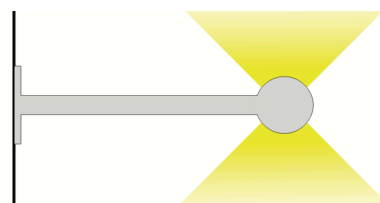
RLP3-WMD
Wall Mount Direct



RLP3-SID
Suspended Indirect / Direct



RLP3-WMID
Wall Mount Indirect / Direct



ROUND LIGHTPLANE 3 - RLP3

Indirect / Direct Suspended

LIGHT FORMS

Housing

100% recyclable, extruded architectural grade T6061 aluminium

Emergency

Luminaires can be wired for emergency circuit and/or emergency battery backup. Consult factory for options.

Suspension Hardware

STD	Standard separate 115mm diameter power canopy and suspension
COMBO	115mm diameter canopy and suspension are combined
SMALL	82mm diameter small separate power canopy and suspension



STD



Combo

Finish

Standard finish is "Ultimatte" aluminium - a smooth, clean and durable finish achieved from a deep-etch and two step clear anodizing process. White, Black, Bronze or custom RAL powdercoat options are also available.



WH - WHITE



AL - ALUMINIUM



RAL/___

Default canopy finish is to match fitting color, unless otherwise specified



BK - BLACK



BRONZE



Small

Light Forms - Configuration Sheet - REV 4

Light Forms

Architectural Lighting
www.lightforms.com

Registered in England
No. 6750892

Registered Address
Unit 7C Boeing Way
International Trading Centre
Middlesex, UB2 5LB

UK

Unit 7C Boeing Way
International Trading Estate
Middlesex
UB2 5LB

T +44 (0)20 8571 3785
F +44 (0)20 8090 3755
E ask@lightforms.com

India

353/2 Dr Hira Singh Road
Civil Lines
Ludhiana 141001
Punjab, India

T +91 98 7280 0488
E ajay@lightforms.com

China

Unit 3, Building A
No. 9 Phoenix Road
Torch Development Area
Zhongshan City
Guangdong China 528437

T +86 760 899 370 38
F +86 760 899 370 39
E ckirin@lightforms.com