

Lightplane Linear Up & Under – LPLUU

LED – 58 mm x 112/136 mm

FEATURES

Flush or Drop Lens

Individual Fixture,
Continuous Run or
Configured Shape

Direct, Indirect
or Direct/Indirect
Distribution

Up to 6711 LM/M
and 124LM/W

Four Standard
Output Options

Tunable White,
and RGB+W Options

Integral DALI, DMX,
10V or Phase Driver

Dimming Down to 0%

Integral Downlight
Spot Options

Integral Sensor
Options

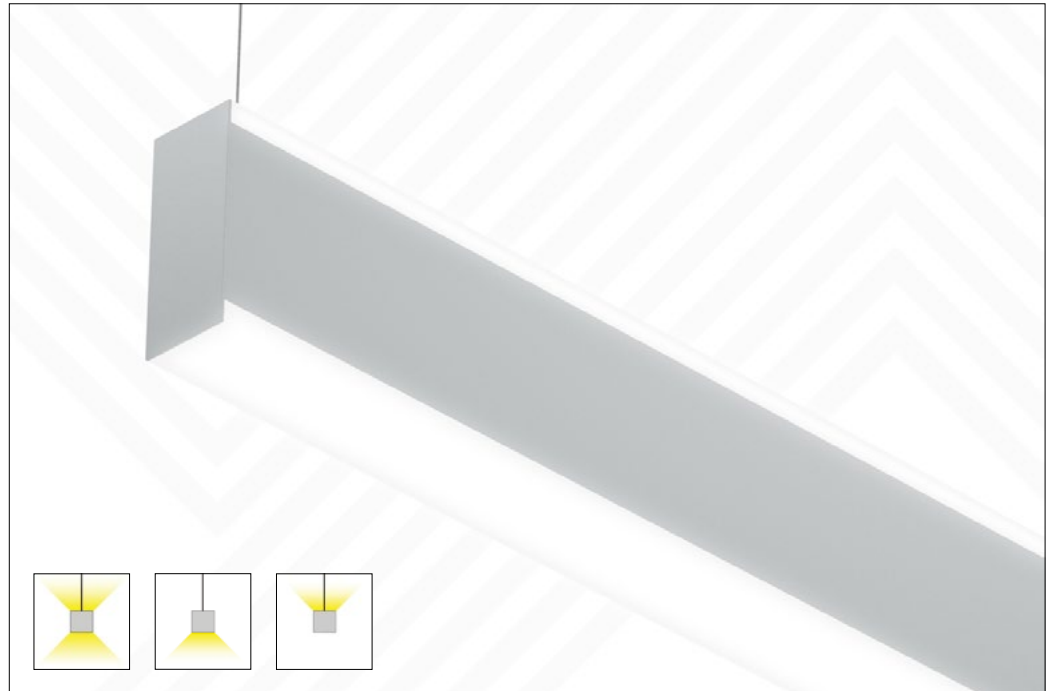
Aluminium, White,
Black, Bronze or
Custom RAL Finish

OSRAM

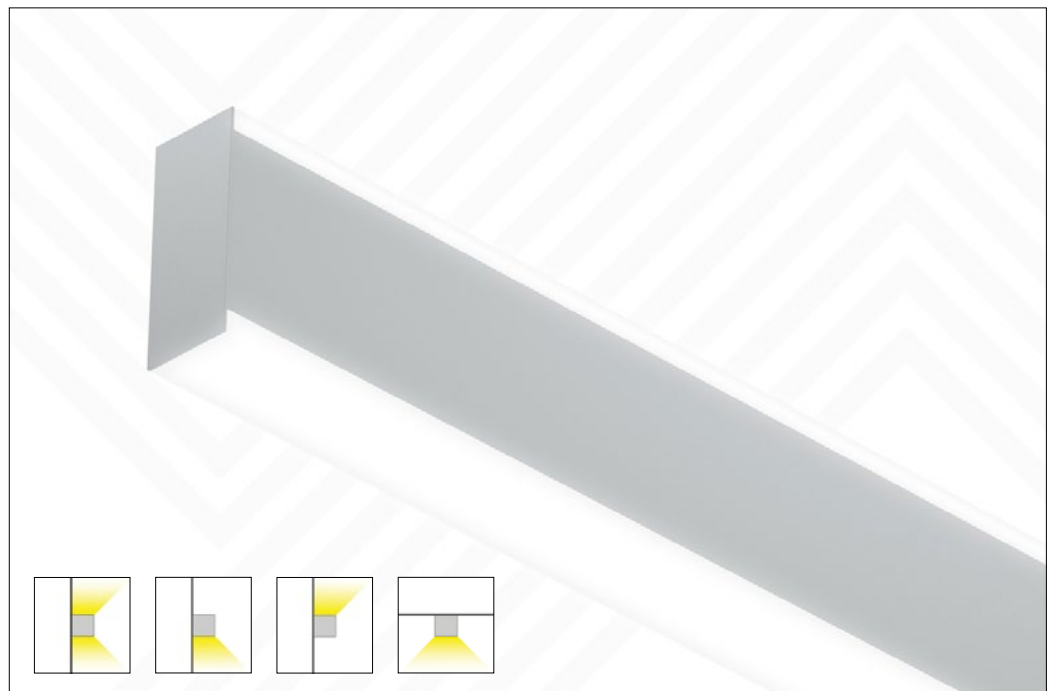
LED Drivers &
Light Engines
Included

*Exceptions
may apply.
Enquire for
more details.*

SUSPENDED



WALL / SURFACE



INSTRUCTIONS

Digital users: Check selection boxes and fill in fields directly in fillable, interactive PDF, save file, submit to Light Forms.

Manual users: Check selection boxes and fill in fields with pen, scan and save ALL pages as PDF document, submit to Light Forms.

1. BASE MODEL / MOUNTING Select ONE

LPLUUS	Suspended
LPLUW	Wall
LPLUUSM	Surface-Mount (direct only)

2. SIZE* Select ONE (linear or shape) and enter required length(s) in metres, ex: STR/20.5, US/9/7/6.5

INDIVIDUAL OR CONTINUOUS RUN

LINEAR

STR Straight

LENGTH A

CONFIGURATION

SHAPE*

SQ	Square
REC	Rectangle
LL	L - Left
LR	L - Right
CX	Cross
TEE	T - Shape
US	U - Shape
ZL	Zed - Left
ZR	Zed - Right

LENGTH A

LENGTH B

LENGTH C



Straight
STR



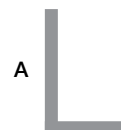
Square
SQ



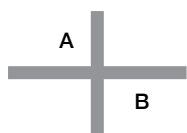
Rectangle
SQ



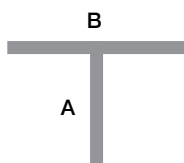
L - Left
LL



L - Right
LR



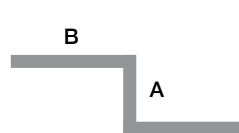
Cross
CX



T - Shape
TEE



U - Shape
US



Zed - Left
ZL



Zed - Right
ZL

*All Shapes are manufactured with 45° angled cuts to form 90° angle joints *except* CX and TEE which are made and joined using complete, uncut fixtures. Contact Light Forms for additional, custom shape configurations, ex: triangles, octagons, etc.

3. DIRECT LINEAR LAMPING & LENS Select NONE or ONE from each category (note exceptions below)

NONE Select when specifying an INDIRECT-ONLY fixture

OUTPUT	CRI	CCT	LENS	
MIN	80	2700K	DIFF/F	Diffuse, flush (std.)
LOW	90	3000K	DIFF/D	Diffuse, drop (std.)
MED		3500K	FROST	Semi-frosted, flush
HI#		4000K		
TUNE/LOW*		5000K		
TUNE/MED*		6500K		
RGBW^				

#If HI is selected here for direct output, MIN or LOW only must be selected for indirect output below. Maximum output is HI/LOW or LOW/HI.

**For TUNE/LOW and TUNE/MED, CRI and CCT do not apply (leave unchecked).*

^For RGBW, CRI does not apply (leave unchecked) and select 3000K or 4000K CCT only. White LEDs can remain uncommissioned for RGB-only output.

3. INDIRECT LINEAR LAMPING & LENS Select NONE or ONE from each category (note exceptions below)

NONE Select when specifying a DIRECT-ONLY fixture; indirect not available for surface mount

OUTPUT	CRI	CCT	LENS	
MIN	80	2700K	DIFF/F	Diffuse, flush (std.)
LOW	90	3000K	DIFF/D	Diffuse, drop (std.)
MED		3500K	FROST	Semi-frosted, flush
HI#		4000K		
TUNE/LOW*		5000K		
TUNE/MED*		6500K		
RGBW^				

#If HI is selected here for indirect output, MIN or LOW only must be selected for direct output above. Maximum output is HI/LOW or LOW/HI.

**For TUNE/LOW and TUNE/MED, CRI and CCT do not apply (leave unchecked).*

^For RGBW, CRI does not apply (leave unchecked) and select 3000K or 4000K CCT only. White LEDs can remain uncommissioned for RGB-only output.

5. DOWNLIGHT SPOTS* Select NONE or ONE from EVERY category (note exceptions below)

NONE Select when specifying linear lampping only

<u>QUANTITY*</u>	<u>OUTPUT</u>	<u>CRI</u>	<u>CCT</u>	<u>BEAM DEGREE</u>
	MIN/S	80	2700K	15 15° spread
	LOW/S	90	3000K	25 25° spread
	TUNE/S#		4000K	40 40° spread
	RGB/S#			

*Contact Light Forms for desired spacing of spots within the fixture

#For TUNE/S and RGB/S, CRI and CCT do not apply (leave unchecked)

6. INTEGRAL DRIVER* Select ONE

NONDIM	Non-dimming
DALI#	DALI driver, dimming down to 1%
1/10V	1-10V, dimming down to 1%
0/10V	0-10V, dimming down to 0%
DMX^	DMX driver, dimming down to 1%
PHASE	For use with phase-cut triac, IGBT or sine wave dimmer switches

*Driver selection applies to direct, indirect and/or downlight spots. Contact Light Forms if separate driver types for each are required.

#DALI is required for use with TUNE/LOW and TUNE/MED; DALI (or DMX) is required for RGBW

^DMX (or DALI) is required for use with RGBW

7. FINISH* Select ONE

AL	Anodised aluminium (standard)
WH	White powdercoat
BLK	Black powdercoat
BZ	Metallic bronze powdercoat
RAL/ _ _ _ _	Custom RAL# colour powdercoat, ex: RAL/3000

*Contact factory for additional finish options including Interpon, Farrow & Ball and silver and gold plating

See RAL colour options and codes at lightforms.com/RAL

8. POWERFEED COLOUR Select ONE

GP	Grey (standard for suspended, default for other mountings)
WP	White
BP	Black
TP	Transparent
XP	Custom colour (contact Light Forms for options)

9. CANOPY Select ONE

NONE	Select NONE when specifying wall or surface mount
STD	115mm canopy for each separate powerfeed and suspension point (standard)
SMALL	82mm canopy for each separate powerfeed and suspension point
COMBO	115mm combo canopy for locations with both a powerfeed and suspension point

10. OPTIONAL ADD-ONS Select as many as apply

A. EMERGENCY

EM	Integral, 3-hour emergency battery, manual testing
EM/DALI	Integral, 3-hour emergency battery with DALI interface, automatic testing
EC	Emergency circuit

B. SENSOR

PRES	Integral, PIR presence detector
DALI/PRES	Integral, DALI-compatible PIR presence detector
PHOTO	Integral, photocell/daylight detector

C. WIRELESS CONTROL

OLP*	Integral, Osram Lightify Pro wireless control module
-------------	--

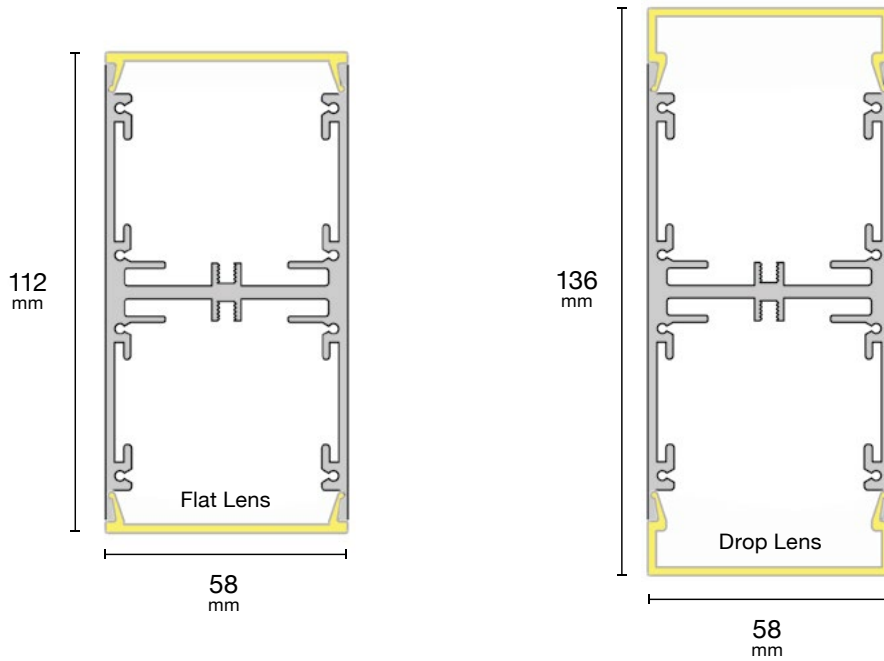
**Must choose DALI option in DRIVER section.*

Lightplane Linear Up & Under

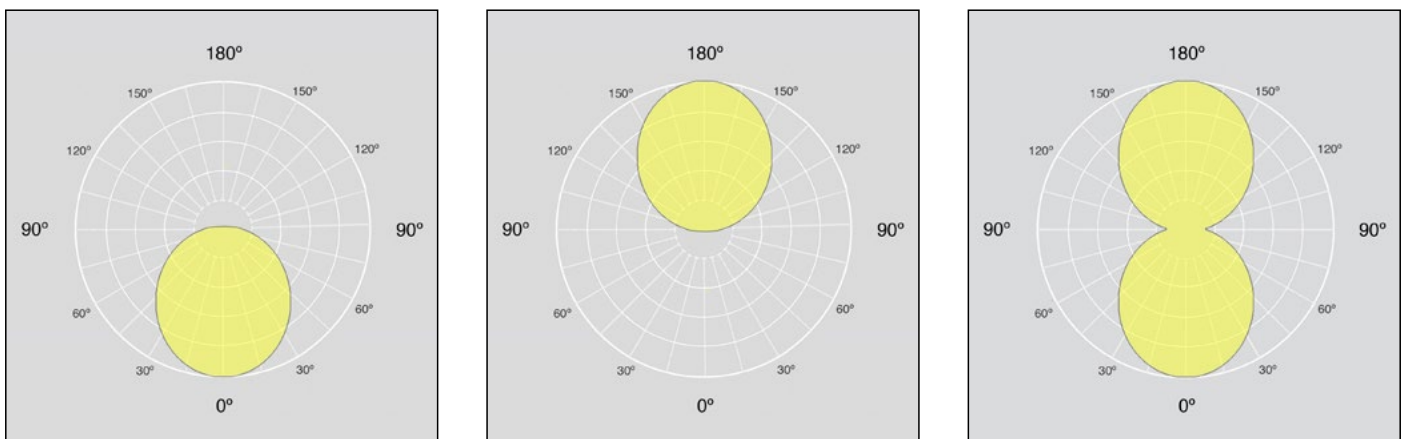
LPLUU | Suspended, Wall, Surface

**LIGHT
FORMS**

DIMENSIONS



DISTRIBUTION



Lightplane Linear Up & Under

LPLUU | Suspended, Wall, Surface

**LIGHT
FORMS**

LINEAR LAMPING – OPTIONS & PERFORMANCE DATA*

OUTPUT OPTIONS	DELIVERED LUMENS* LM/M	WATTS* W/M	EFFICACY* LM/W	CRI OPTIONS	CCT OPTIONS	LENS OPTIONS
MIN [#]	1112	12	93	80 90	2700K 3000K 3500K 4000K 5000K 6500K	DIFF/F DIFF/D FROST
LOW [#]	1590	13.4	119			
MED [#]	3100	25	124			
HI [#]	5121	44.6	115			
TUNE/LOW ^{#^}	Tunable White Standard 1277 (at 4000K)	14	91	80	2700K-6500K	
TUNE/MED ^{#^}	Tunable White High 1809 (at 4000K)	22	82	80	2700K-6500K	
RGBW	Colour-Changing RGB+White N/A (entire system) 375 (white only)	19.2 (entire system) 9 (white only)	N/A (entire system) 42 (white only)	N/A (entire system) 80 (white only)	3000K 4000K	

L80 > 50,000 hours

Luminous flux +/- 5%

**Data provided is for ONE direct OR ONE indirect distribution; performance values are the same for both. For combined Direct/Indirect distribution, add outputs and divide as necessary to obtain performance values.*

#Performance data is based on a connected-load photometric test of MED output with 80 CRI at 4000K using a DALI driver and DIFF/F lens. Data values for all other outputs are extrapolations.

^Performance data is extrapolated based on a 4000K setting. Cooler and warmer CCT settings will provide a slight decrease in performance – lower lm/m, higher W/m, and lower lm/W.

LENS OPTIONS

DIFF is a white satin diffuser lens that produces smooth, even light across the lens surface. Choose flush (DIFF/F) or drop (DIFF/D). FROST is a semi-frosted, clear lens that produces more output, yet with less homogeneous light across the lens surface.



Flush
DIFF/F

Drop
DIFF/D

Diffuse
DIFF/F or D

Semi-Frosted
FROST

Lightplane Linear Up & Under

LPLUU | Suspended, Wall, Surface

**LIGHT
FORMS**

DOWNLIGHT SPOTS – OPTIONS & PERFORMANCE DATA*

OUTPUT OPTIONS	DELIVERED LUMENS LM/M	WATTS W/M	EFFICACY LM/W	CRI OPTIONS	CCT OPTIONS	BEAM DEGREE OPTIONS
MIN/S#	1101	11.6	95	80 90	2700K 3000K 4000K	15 25 40
LOW/S#	1430	15.9	90			
TUNE/S	Contact Light Forms for Options & Details					
RGB/S	Contact Light Forms for Options & Details					

L80 > 50,000 hours
Luminous flux +/- 5%

**Performance calculations are based on connected load, photometric tests with 80 CRI at 4000K and 40° beam spread.*

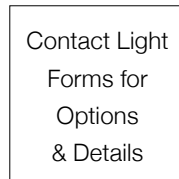
SPOTS



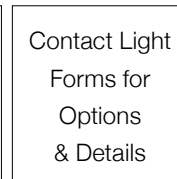
Minimum
MIN/S



Low
LOW/S



Tunable White
TUNE/S



RGB
RGB/S

Lightplane Linear Up & Under

LPLUU | Suspended, Wall, Surface

**LIGHT
FORMS**

SPECIFICATION DETAILS

HOUSING

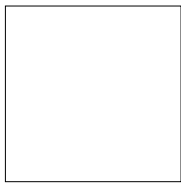
100% recyclable, extruded architectural grade aluminium with minimum 2mm thickness.

FINISH OPTIONS

Standard finish is "Ultimatte" aluminium - a smooth, clean and durable finish achieved from a deep etch, two-step clear anodising process. White, Black, Bronze or custom RAL powdercoat options are also specifiable. Contact Light Forms for other finish options (Interpon, Farrow & Ball, and silver and gold plating).



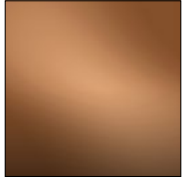
Aluminium
AL



White
WH



Black
BLK



Bronze
BZ

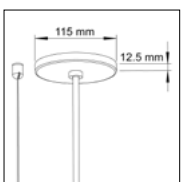


Custom RAL
RAL

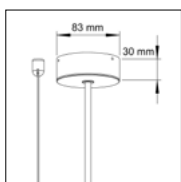
View all RAL colour options at: <https://lightforms.com/RAL>

SUSPENSION MOUNT CANOPY OPTIONS

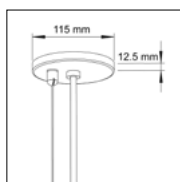
Standard (STD) comprises separate 115 mm powerfeed canopy and cable bullet at powerfeed locations. SMALL comprises separate 85 mm powerfeed canopy and cable bullet at powerfeed locations. COMBO comprises combined 115mm canopy (canopy and cable bullet) at powerfeed locations. All options include cable bullets for non-powerfeed locations.



Standard
STD



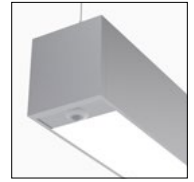
Small
SMALL



Combo
COMBO

INTEGRAL SENSORS

Optional, presence (PRES), DALI-compatible PIR presence (DALI/PRES) and daylight harvesting (PHOTO) sensors available. Contact Light Forms for further information.



INTEGRAL DOWNLIGHTS

Optional, aimable accent downlight spots deliver up to 1430 lumens with beam spreads from 15° to 40°. Limitations apply. See Downlight Spots chart for further information.



WEIGHT

Approximately 4245 grams per linear metre. Weight will increase with the addition of integral downlights, sensors, and emergency batteries and may vary further depending on mounting and other options.

OPERATING TEMPERATURE

Luminaire MUST be installed and operated ONLY in dry or damp environments where the ambient temperature ranges from -20°C to 50°C. Luminaire operation in environments outside this temperature range voids the warranty AND may damage the product or adversely impact lamp life, lumen output and colour consistency.

WARRANTY

5-year limited warranty. Details: lightforms.com/warranty

MANUFACTURING & CERTIFICATION

Products are manufactured in and comply with the health, safety and environmental protection standards of the respective region in which they are sold as indicated below.



Europe



Asia



Greater India
+ Middle East

Lightplane Linear Up & Under

LPLUU | Suspended, Wall, Surface

**LIGHT
FORMS**

PHOTOS

