

Lightplane Linear Concave – LPLC

LED – 103 mm x 107 mm

FEATURES

Concave Channel with Recessed Lens Fitting

Individual Fixture, Continuous Run or Configured Shape

Direct Distribution

Up to 4446LM/M and 108 LM/W

Four Standard Output Options

Tunable White and RGB+W Options

Integral DALI, DMX, 10V or Phase Driver

Dimming Down to 0%

Integral Downlight Spot Options

Integral Sensor Options

Aluminium, White, Black, Bronze or Custom RAL Finish

OSRAM

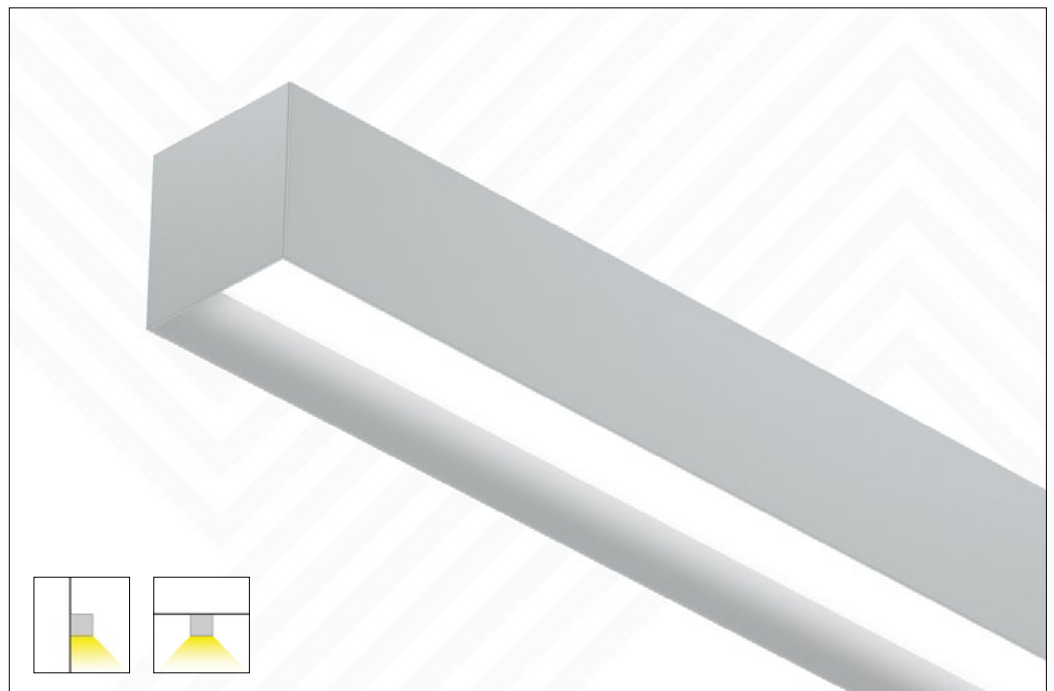
LED Drivers & Light Engines Included

Exceptions may apply. Enquire for more details.

SUSPENDED



WALL / SURFACE



INSTRUCTIONS

Digital users: Check selection boxes and fill in fields directly in fillable, interactive PDF, save file, submit to Light Forms.

Manual users: Check selection boxes and fill in fields with pen, scan and save ALL pages as PDF document, submit to Light Forms.

1. BASE MODEL / MOUNTING Select ONE

| | |
|--------|-------------------------------|
| LPLCS | Suspended |
| LPLCW | Wall |
| LPLCSM | Surface-Mount (directly only) |

2. SIZE* Select ONE (linear or shape) and enter required length(s) in metres, ex: STR/20.5, US/9/7/6.5

INDIVIDUAL OR CONTINUOUS RUN

LINEAR

STR Straight

LENGTH A

CONFIGURATION

SHAPE*

| | |
|-----|-------------|
| SQ | Square |
| REC | Rectangle |
| LL | L - Left |
| LR | L - Right |
| CX | Cross |
| TEE | T - Shape |
| US | U - Shape |
| ZL | Zed - Left |
| ZR | Zed - Right |

LENGTH A

LENGTH B

LENGTH C



Straight
STR



Square
SQ



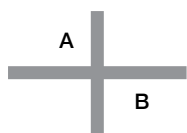
Rectangle
SQ



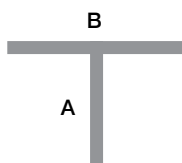
L - Left
LL



L - Right
LR



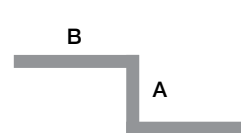
Cross
CX



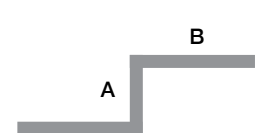
T - Shape
TEE



U - Shape
US



Zed - Left
ZL



Zed - Right
ZL

*All Shapes are manufactured with 45° angled cuts to form 90° angle joints *except* CX and TEE which are made and joined using complete, uncut fixtures. Contact Light Forms for additional, custom shape configurations, ex: triangles, octagons, etc.

3. DIRECT LINEAR LAMPING & LENS Select NONE or ONE from each category (note exceptions below)

NONE Select when specifying an INDIRECT-ONLY fixture

| OUTPUT | CRI | CCT | LENS | |
|-----------------------|-----|-------|-------|----------------|
| MIN | 80 | 2700K | DIFF | Diffuse (std.) |
| LOW | 90 | 3000K | FROST | Semi-frosted |
| MED | | 3500K | | |
| HI | | 4000K | | |
| UGR19 [#] | | 5000K | | |
| TUNE/LOW [*] | | 6500K | | |
| TUNE/MED [*] | | | | |
| RGBW [^] | | | | |

[#]UGR19 is a low glare, UGR<19 optics package with low output and prismatic lens. LENS does not apply (leave unchecked).

^{*}For TUNE/LOW and TUNE/MED, CRI and CCT do not apply (leave unchecked).

[^]For RGBW, CRI does not apply (leave unchecked) and select 3000K or 4000K CCT only. White LEDs can remain uncommissioned for RGB-only output.

4. DOWNLIGHT SPOTS* Select NONE or ONE from EVERY category (note exceptions below)

NONE Select when specifying linear lamping only

| QUANTITY* | OUTPUT | CRI | CCT | BEAM DEGREE |
|-----------|---------------------|-----|-------|---------------|
| | MIN/S | 80 | 2700K | 15 15° spread |
| | LOW/S | 90 | 3000K | 25 25° spread |
| | TUNE/S [#] | | 4000K | 40 40° spread |
| | RGB/S [#] | | | |

*Contact Light Forms for desired spacing of spots within the fixture

[#]For TUNE/S and RGB/S, CRI and CCT do not apply (leave unchecked)

5. INTEGRAL DRIVER* Select ONE

| | |
|-------------------------|---|
| NONDIM | Non-dimming |
| DALI[#] | DALI driver, dimming down to 1% |
| 1/10V | 1-10V, dimming down to 1% |
| 0/10V | 0-10V, dimming down to 0% |
| DMX[^] | DMX driver, dimming down to 1% |
| PHASE | For use with phase-cut triac, IGBT or sine wave dimmer switches |

*Driver selection applies to direct, indirect and/or downlight spots. Contact Light Forms if separate driver types for each are required.

[#]DALI is required for use with TUNE/LOW and TUNE/MED; DALI (or DMX) is required for RGBW

[^]DMX (or DALI) is required for use with RGBW

6. FINISH* Select ONE

| | |
|---------------------|---|
| AL | Anodised aluminium (standard) |
| WH | White powdercoat |
| BLK | Black powdercoat |
| BZ | Metallic bronze powdercoat |
| RAL/ _ _ _ _ | Custom RAL# colour powdercoat, ex: RAL/3000 |

*Contact factory for additional finish options including Interpon, Farrow & Ball and silver and gold plating

See RAL colour options and codes at lightforms.com/RAL

7. POWERFEED COLOUR Select ONE

| | |
|-----------|--|
| GP | Grey (standard for suspended, default for other mountings) |
| WP | White |
| BP | Black |
| TP | Transparent |
| XP | Custom colour (contact Light Forms for options) |

8. CANOPY Select ONE

| | |
|--------------|---|
| NONE | Select NONE when specifying wall or surface mount |
| STD | 115mm canopy for each separate powerfeed and suspension point (standard) |
| SMALL | 82mm canopy for each separate powerfeed and suspension point |
| COMBO | 115mm combo canopy for locations with both a powerfeed and suspension point |

9. OPTIONAL ADD-ONS Select as many as apply

A. EMERGENCY

| | |
|----------------|---|
| EM | Integral, 3-hour emergency battery, manual testing |
| EM/DALI | Integral, 3-hour emergency battery with DALI interface, automatic testing |
| EC | Emergency circuit |

B. SENSOR

| | |
|------------------|---|
| PRES | Integral, PIR presence detector |
| DALI/PRES | Integral, DALI-compatible PIR presence detector |
| PHOTO | Integral, photocell/daylight detector |

C. WIRELESS CONTROL

| | |
|-------------|--|
| OLP* | Integral, Osram Lightify Pro wireless control module |
|-------------|--|

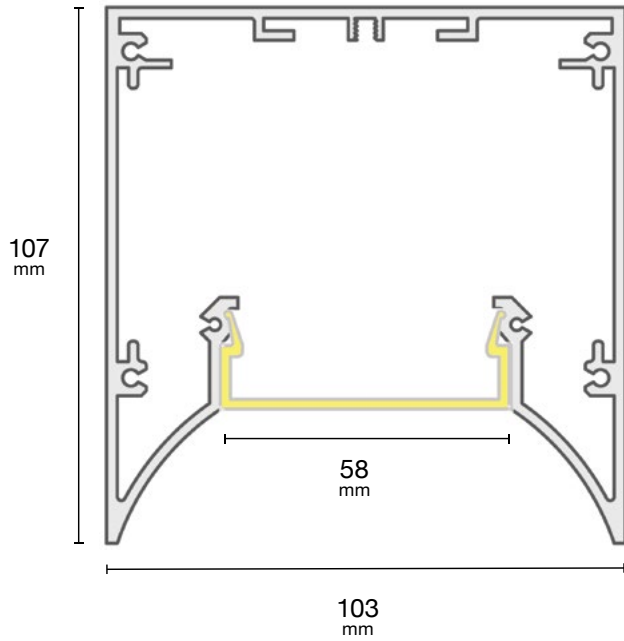
*Must choose DALI option in DRIVER section.

Lightplane Linear Concave

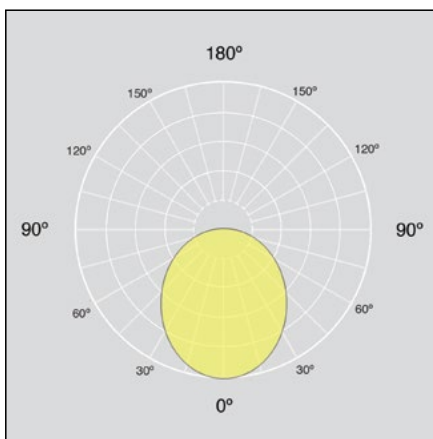
LPLC | Suspended, Wall, Surface

**LIGHT
FORMS**

DIMENSIONS



DISTRIBUTION



DIRECT LINEAR LAMPING – OPTIONS & PERFORMANCE DATA*

| OUTPUT OPTIONS | DELIVERED LUMENS* LM/M | WATTS* W/M | EFFICACY* LM/W | CRI OPTIONS | CCT OPTIONS | LENS OPTIONS |
|-------------------------------|---|--|--|--|--|-----------------------------|
| MIN [#] | 965 | 12 | 80 | 80 90 | 2700K 3000K 3500K 4000K 5000K 6500K | DIFF FROST |
| LOW [#] | 1380 | 13.4 | 103 | | | |
| MED [#] | 2691 | 25 | 108 | | | |
| HI [#] | 4446 | 44.6 | 100 | | | |
| UGR [#] | TBD | TBD | TBD | | | |
| TUNE/LOW ^{#^} | Tunable White Standard 1108 (at 4000K) | 14 | 79 | 80 | 2700K-6500K | DIFF FROST |
| TUNE/MED ^{#^} | Tunable White High 1570 (at 4000K) | 22 | 71 | 80 | 2700K-6500K | |
| RGBW | Colour-Changing RGB+White N/A (entire system) 326 (white only) | 19.2 (entire system) 9 (white only) | N/A (entire system) 36 (white only) | N/A (entire system) 80 (white only) | 3000K 4000K | |

L80 > 50,000 hours

Luminous flux +/- 5%

*Data provided is for either direct OR indirect distribution; performance values are the same for both.

[#]Performance data is based on a connected-load photometric test of MED output with 80 CRI at 4000K using a DALI driver and DIFF lens. Data values for all other outputs are extrapolations.

[^]Performance data is extrapolated based on a 4000K setting. Cooler and warmer CCT settings will provide a slight decrease in performance – lower lm/m, higher W/m, and lower lm/W.

LENS OPTIONS

DIFF is a white satin diffuser lens that produces smooth, even light across the lens surface. FROST is a semi-frosted, clear lens that produces more output, yet with less homogeneous light across the lens surface.



Diffuse
DIFF

Semi-Frosted
FROST

Lightplane Linear Concave

LPLC | Suspended, Wall, Surface

**LIGHT
FORMS**

DOWNLIGHT SPOTS – OPTIONS & PERFORMANCE DATA*

| OUTPUT OPTIONS | DELIVERED LUMENS LM/M | WATTS W/M | EFFICACY LM/W | CRI OPTIONS | CCT OPTIONS | BEAM DEGREE OPTIONS |
|----------------|---|--------------|------------------|------------------|----------------------------------|-------------------------|
| MIN/S# | 1101 | 11.6 | 95 | 80 90 | 2700K 3000K 4000K | 15 25 40 |
| LOW/S# | 1430 | 15.9 | 90 | | | |
| TUNE/S | Contact Light Forms for Options & Details | | | | | |
| RGB/S | Contact Light Forms for Options & Details | | | | | |

L80 > 50,000 hours
Luminous flux +/- 5%

**Performance calculations are based on connected load, photometric tests with 80 CRI at 4000K and 40° beam spread.*

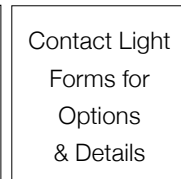
SPOTS



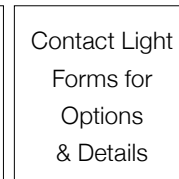
Minimum
MIN/S



Low
LOW/S



Tunable White
TUNE/S



RGB
RGB/S

Lightplane Linear Concave

LPLC | Suspended, Wall, Surface

**LIGHT
FORMS**

SPECIFICATION DETAILS

HOUSING

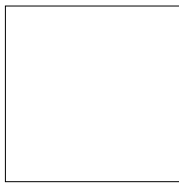
100% recyclable, extruded architectural grade aluminium with minimum 2mm thickness.

FINISH OPTIONS

Standard finish is "Ultimatte" aluminium - a smooth, clean and durable finish achieved from a deep etch, two-step clear anodising process. White, Black, Bronze or custom RAL powdercoat options are also specifiable. Contact Light Forms for other finish options (Interpon, Farrow & Ball, and silver and gold plating).



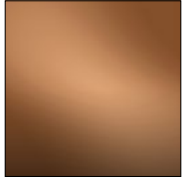
Aluminium
AL



White
WH



Black
BLK



Bronze
BZ

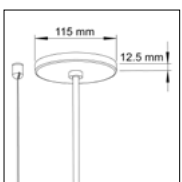


Custom RAL
RAL

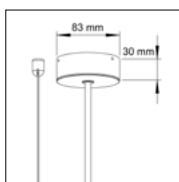
View all RAL colour options at: <https://lightforms.com/RAL>

SUSPENSION MOUNT CANOPY OPTIONS

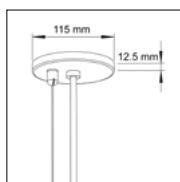
Standard (STD) comprises separate 115 mm powerfeed canopy and cable bullet at powerfeed locations. SMALL comprises separate 85 mm powerfeed canopy and cable bullet at powerfeed locations. COMBO comprises combined 115mm canopy (canopy and cable bullet) at powerfeed locations. All options include cable bullets for non-powerfeed locations.



Standard
STD



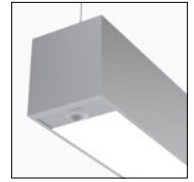
Small
SMALL



Combo
COMBO

INTEGRAL SENSORS

Optional, presence (PRES), DALI-compatible PIR presence (DALI/PRES) and daylight harvesting (PHOTO) sensors available. Contact Light Forms for further information.



INTEGRAL DOWNLIGHTS

Optional, aimable accent downlight spots deliver up to 1430 lumens with beam spreads from 15° to 40°. Limitations apply. See Downlight Spots chart for further information.



WEIGHT

Approximately 4316 grams per linear metre. Weight will increase with the addition of integral downlights, sensors, and emergency batteries and may vary further depending on mounting and other options.

OPERATING TEMPERATURE

Luminaire MUST be installed and operated ONLY in dry or damp environments where the ambient temperature ranges from -20°C to 50°C. Luminaire operation in environments outside this temperature range voids the warranty AND may damage the product or adversely impact lamp life, lumen output and colour consistency.

WARRANTY

5-year limited warranty. Details: lightforms.com/warranty

MANUFACTURING & CERTIFICATION

Products are manufactured in and comply with the health, safety and environmental protection standards of the respective region in which they are sold as indicated below.



Europe



Asia



Greater India
+ Middle East

Lightplane Linear Concave

LPLC | Suspended, Wall, Surface

LIGHT
FORMS

PHOTOS

