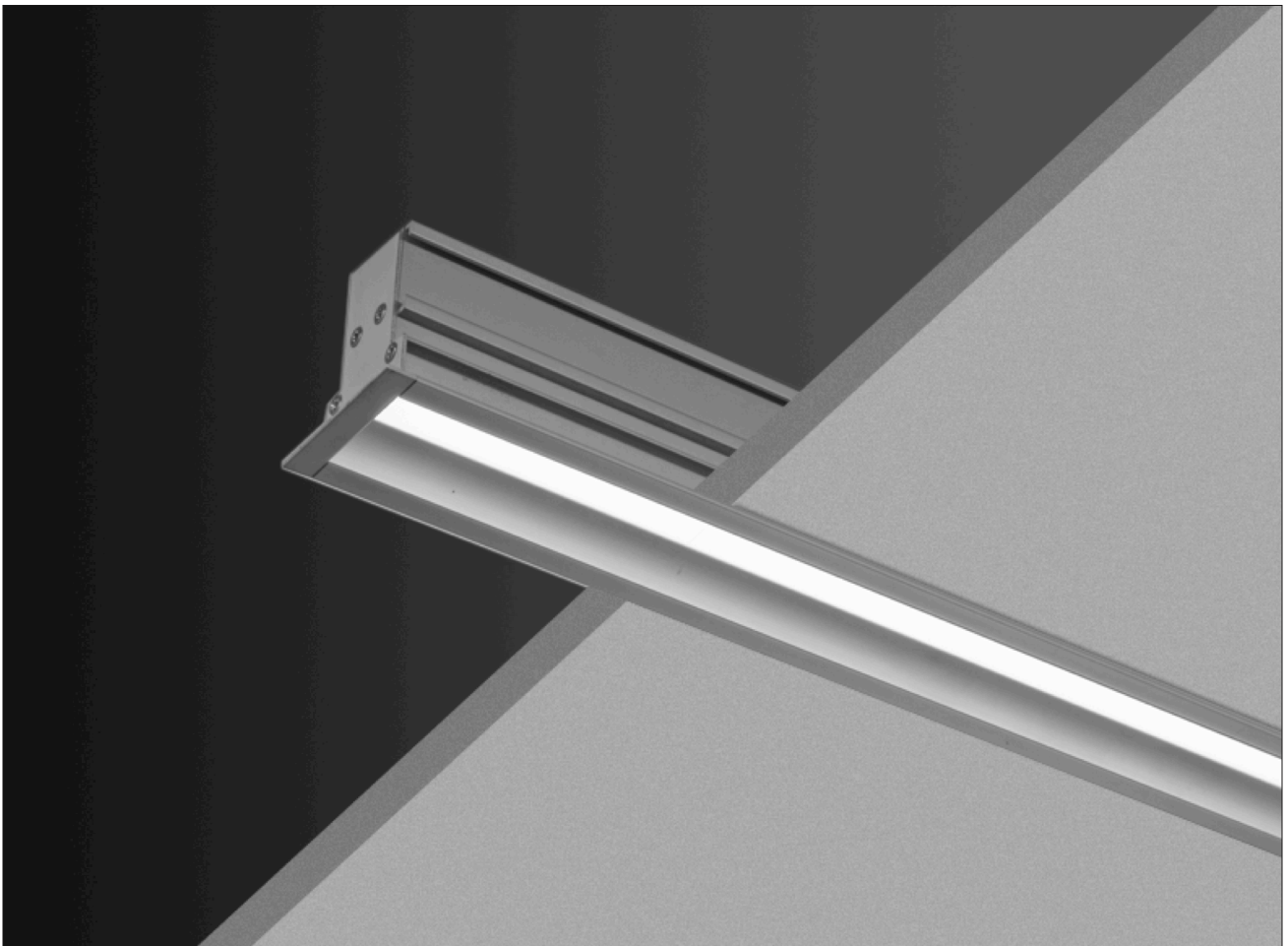


# LIGHTPLANE 1 RECESSED CONCAVE LP1RCT

Recessed



# LIGHTPLANE 1 RECESSED CONCAVE - LP1RCT

Recessed

**LIGHT  
FORMS**

---

## 1. Base Model

---

LP1RCT Recessed Concave - (with Trim)

## 2. Run Length/Size

---

Enter length in mm for custom lengths.  
See **Standard Lengths and Shapes** PDF for standard products.

## 3. LED Lamping

---

LOW - **xxxx**K (example: MED-4000K)

MED - **xxxx**K (example: HI-4000K)

CV - **xxxx**K

STD - TW

HI - TW

STD - RGBW - **xxxx**K

HI - RGBW - **xxxx**K

## 4. LED Driver (remote only)

---

1-10V	1-10V dimming
DALI	DALI dimming
DMX	DMX dimming
NONDIM	Non-dimmable
OTHER	(Consult factory for options)

## 5. Finish

---

AL	Standard, natural aluminium
BK	Black powdercoat
WH	White powdercoat
RAL/ ____	Specify RAL powdercoat (ex: #RAL/3003)
BRONZE	Bronze powdercoat

## 6. Additional options

---

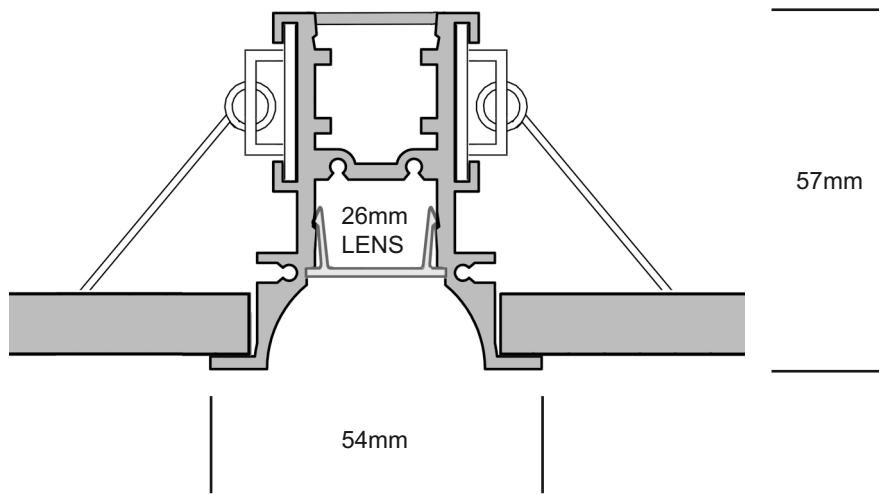
EM	3 hour Emergency Kit - remote
DALIEM	3 hour DALI Emergency Driver/Battery - remote
DALIEMPRO	3 hour DALI EMPRO Emergency Driver/Battery - remote
PIR-A	PIR Absence Detector - remote
PIR-P	PIR Presence Detector - remote
DALIPIR	DALI PIR Sensor - remote
OTHER	Contact Factory

# LIGHTPLANE 1 RECESSED CONCAVE - LP1RCT

Recessed

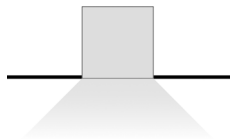


## Dimensions



## Mounting Options

LP1RCT  
Recessed



# LIGHTPLANE 1 RECESSED CONCAVE - LP1RCT

Recessed

# LIGHT FORMS

---

## Housing

100% recyclable, extruded architectural grade T6061 aluminium

## Emergency

Luminaires can be wired for emergency circuit and/or emergency battery backup. Consult factory for options.

## Options

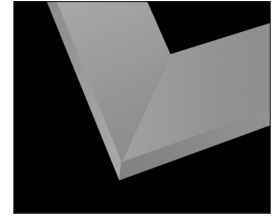
Mitered Corners

Consult factory for mitered corner angle options.

## Finish

Standard finish is "Ultimate" aluminium - a smooth, clean and durable finish achieved from a deep-etch and two step clear anodizing process.

White, Black, Bronze or custom RAL powdercoat options are also available.



Mitered Corners



WH - WHITE



AL - ALUMINIUM



RAL/\_\_\_

*Default canopy finish is to match fitting color, unless otherwise specified*



BK - BLACK



BRONZE

Light Forms - Configuration Sheet - Rev 4

### Light Forms

Architectural Lighting  
www.lightforms.com

Registered in England  
No. 6750892

Registered Address  
Unit 7C Boeing Way  
International Trading Centre  
Middlesex, UB2 5LB

### UK

Unit 7C Boeing Way  
International Trading Estate  
Middlesex  
UB2 5LB

T +44 (0)20 8571 3785  
F +44 (0)20 8090 3755  
E ask@lightforms.com

### India

353/2 Dr Hira Singh Road  
Civil Lines  
Ludhiana 141001  
Punjab, India

T +91 98 7280 0488  
E ajay@lightforms.com

### China

Unit 3, Building A  
No. 9 Phoenix Road  
Torch Development Area  
Zhongshan City  
Guangdong China 528437

T +86 760 899 370 38  
F +86 760 899 370 39  
E ckirin@lightforms.com