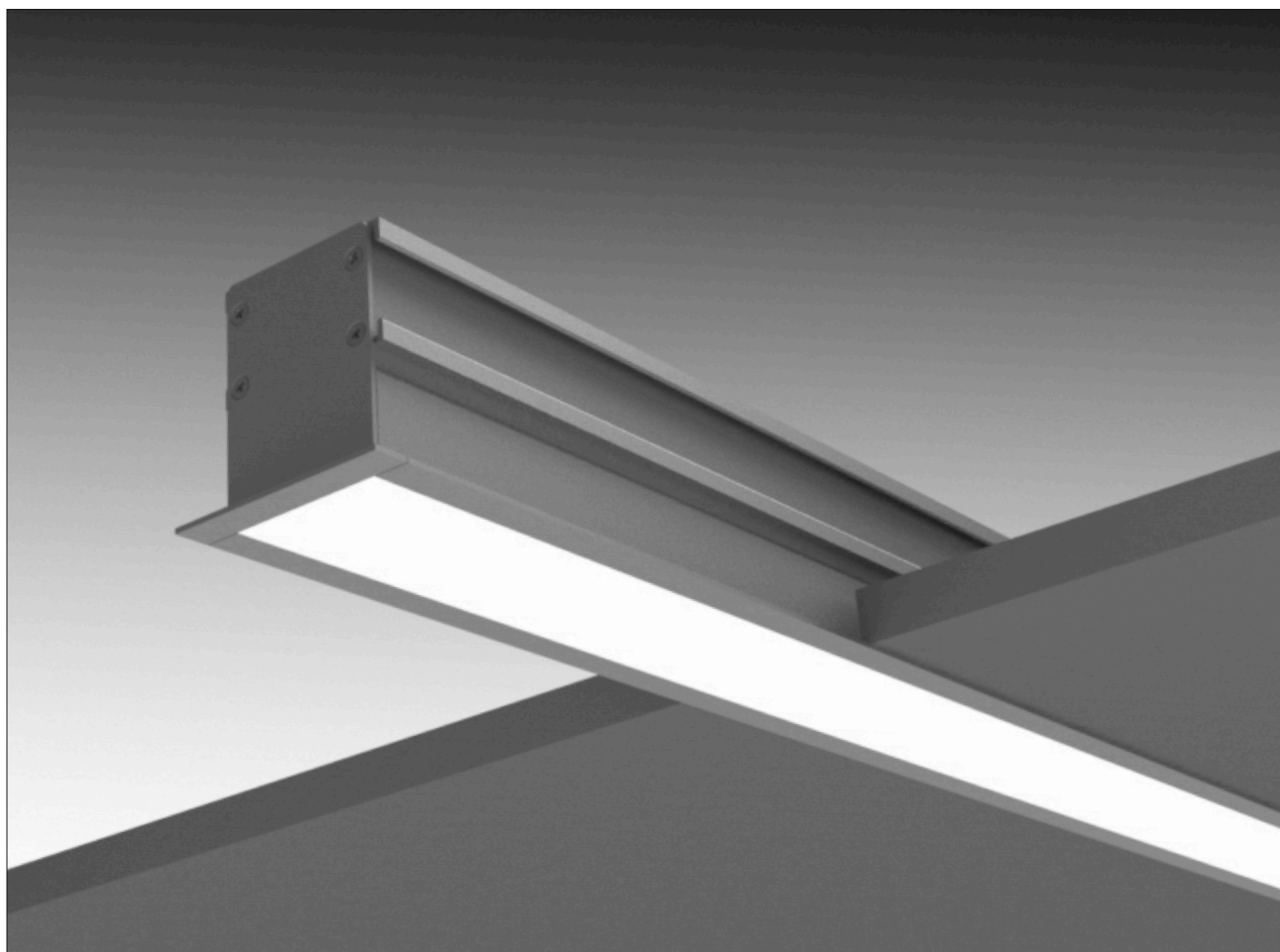


FIVE BOW RECESSED - FBRT

Recessed



FIVE BOW RECESSED – FBRT

Recessed

**LIGHT
FORMS**

1. Base Model

FBRT Recessed

2. Run Length

Enter length in mm for custom lengths.
See **Standard Lengths and Shapes** PDF for standard products.

3. LED Lamping

LOW - **xxxxK** (example: MED-4000K)

MED - **xxxxK** (example: MED-4000K)

HI - **xxxxK** (example: HI-4000K)

CV - **xxxxK**

STD - TW

HI - TW

STD - RGBW - **xxxxK**

HI - RGBW - **xxxxK**

4. LED Driver

1-10V	1-10V dimming
DALI	DALI dimming
DMX	DMX dimming
NONDIM	Non-dimmable
OTHER	(Consult factory for options)

5. Finish

AL	Standard, natural aluminium
BK	Black powdercoat
WH	White powdercoat
RAL/ ____	Specify RAL powdercoat (ex: #RAL/3003)
BRONZE	Bronze powdercoat

6. Additional options

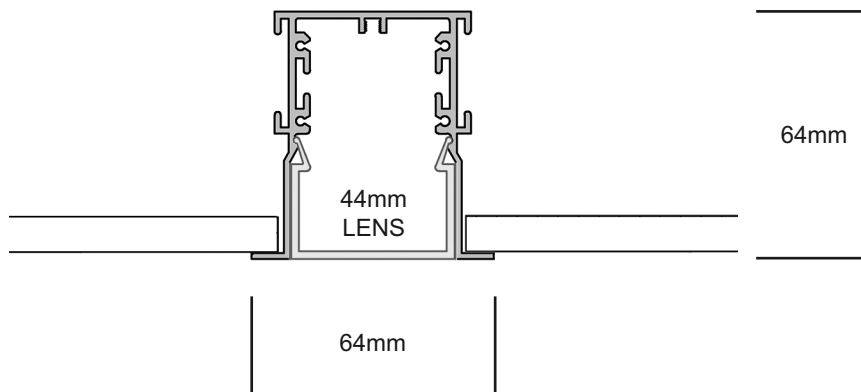
EM	3 hour Emergency Kit
DALIEM	3 hour DALI Emergency Driver/Battery
DALIEMPRO	3 hour DALI EMPRO Emergency Driver/Battery
PIR-A	PIR Absence Detector
PIR-P	PIR Presence Detector
DALIPIR	DALI PIR Sensor
OTHER	Contact Factory

FIVE BOW RECESSED – FBRT

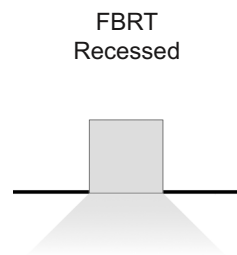
Recessed

**LIGHT
FORMS**

Dimensions



Mounting Options



FIVE BOW RECESSED – FBRT

Recessed

LIGHT FORMS

Housing

100% recyclable, extruded architectural grade T6061 aluminium

Emergency

Luminaires can be wired for emergency circuit and/or emergency battery backup. Consult factory for options.

Options

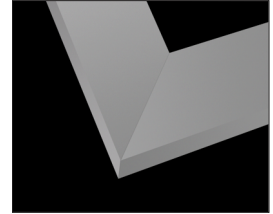
Mitered Corners

Consult factory for mitered corner angle options.

Finish

Standard finish is "Ultimate" aluminium - a smooth, clean and durable finish achieved from a deep-etch and two step clear anodizing process.

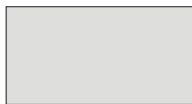
White, Black, Bronze or custom RAL powdercoat options are also available.



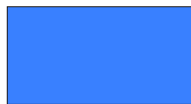
Mitered Corners



WH - WHITE



AL - ALUMINIUM



RAL/___

Default canopy finish is to match fitting color, unless otherwise specified



BK - BLACK



BRONZE

Light Forms - Configuration Sheet - REV 3

Light Forms

Architectural Lighting
www.lightforms.com

Registered in England
No. 6750892

Registered Address
Unit 7C Boeing Way
International Trading Centre
Middlesex, UB2 5LB

UK

Unit 7C Boeing Way
International Trading Estate
Middlesex
UB2 5LB

T +44 (0)20 8571 3785
F +44 (0)20 8090 3755
E ask@lightforms.com

India

353/2 Dr Hira Singh Road
Civil Lines
Ludhiana 141001
Punjab, India

T +91 98 7280 0488
E ajay@lightforms.com

China

Unit 3, Building A
No. 9 Phoenix Road
Torch Development Area
Zhongshan City
Guangdong China 528437

T +86 760 899 370 38
F +86 760 899 370 39
E ckirin@lightforms.com