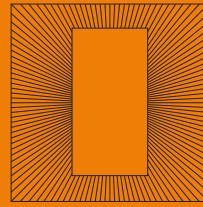
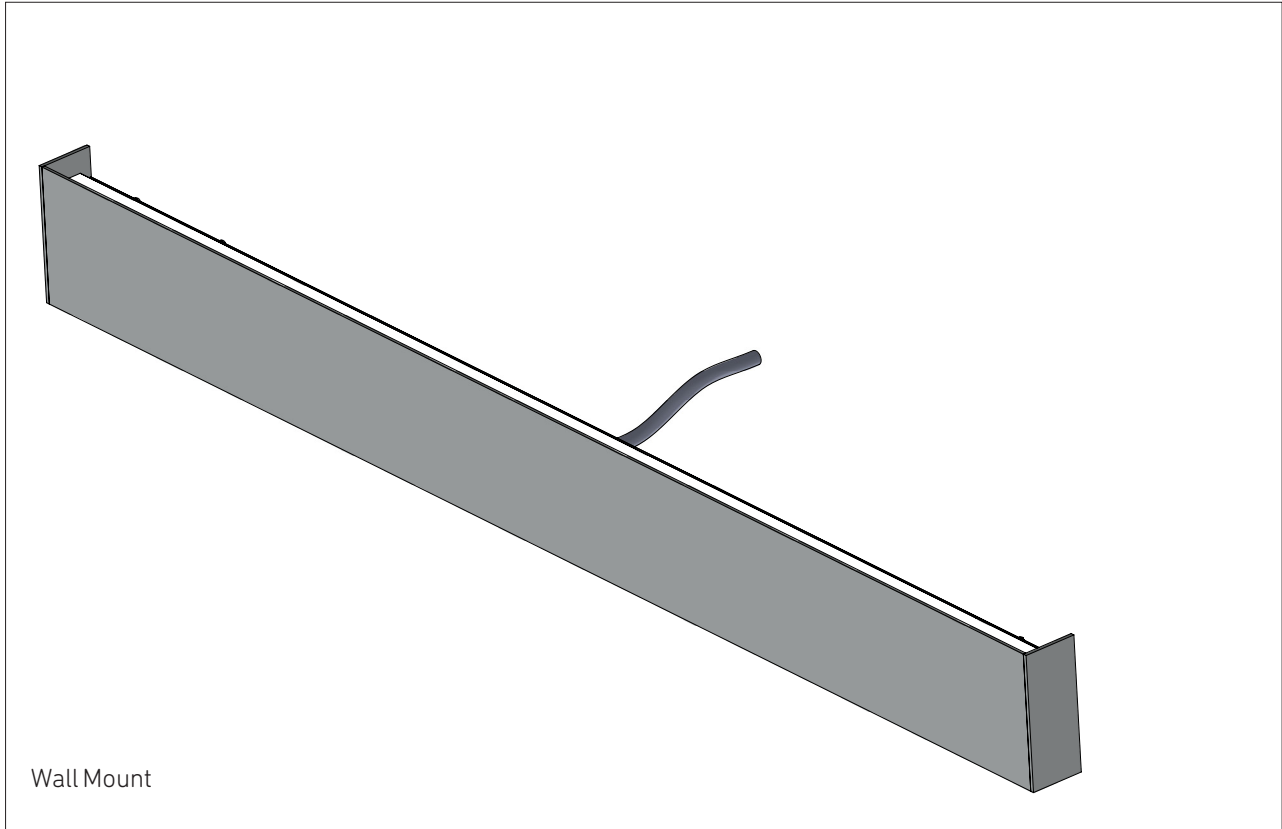


# Lightplane Linear 1 Wall Grazer - I/D



**LIGHT FORMS**

Installation Guide



Wall Mount

## Safety and Warning!

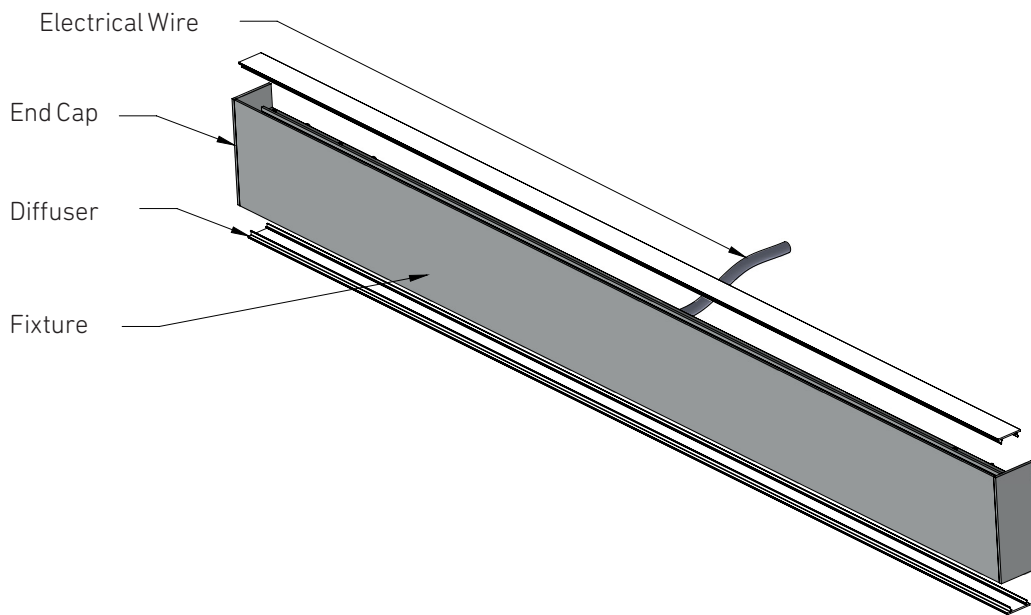
1. Read all instructions carefully.
2. All the installation must be completed by a qualified electrician.
3. Install in accordance with national and local electrical code regulations.
4. Turn off electrical power before installing or servicing fixture in any way.
5. Install only at dry areas.
6. To reduce the risk of fire and overheating, make sure all connections to done properly.

# Lightplane Linear 1 Wall Grazer - I/D

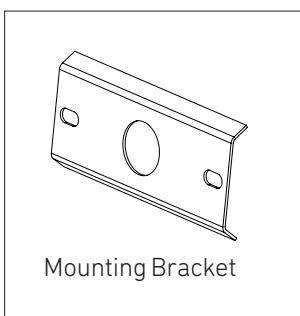
LIGHT FORMS

LPL1WG-Indirect/Direct

## Luminaire Overview



## Standard component for wall mount



# Lightplane Linear 1 Wall Grazer - I/D

LPL1WG-Indirect/Direct

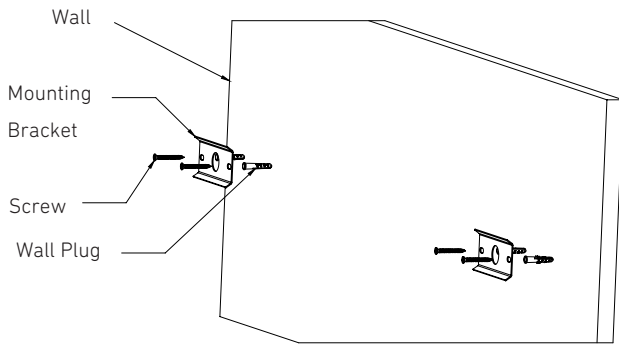
**LIGHT FORMS**

1. Turn off the main electrical supply from the fuse box before proceeding the installation process.

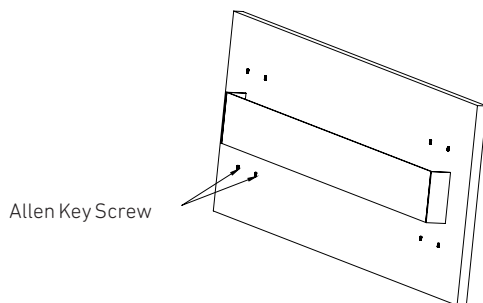
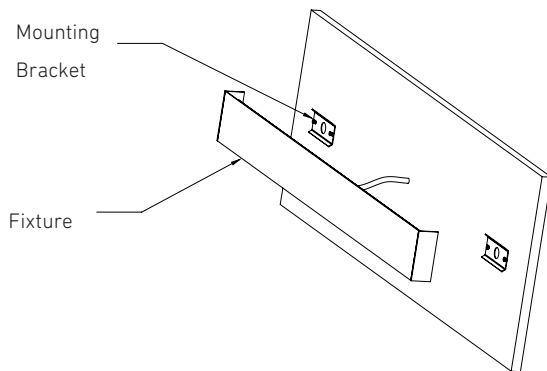
2 (A). Mark the location of the mounting bracket holes & drill on the marked locations on wall

2(B). Fix mounting bracket on the wall through screws as per the location marked.

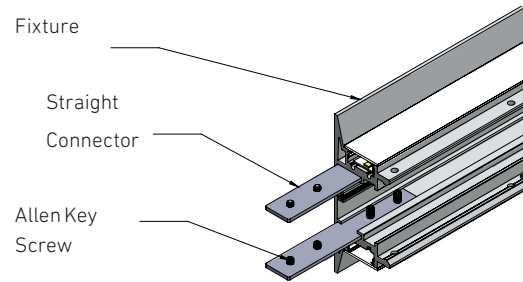
2(C). Make all the necessary electrical connections.



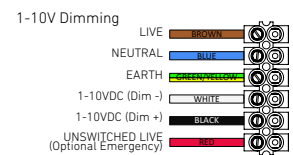
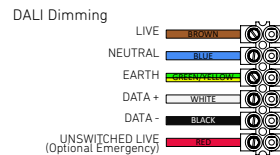
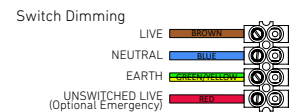
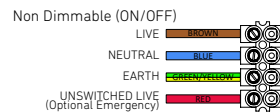
3. Place the fixture on the mounting bracket & fix the fixture with the help of allen key screws.



4. For joining multiple sections use connectors and allen key screws as per the arrangement provided.



5. Wiring Diagram (non-dim and dim)



6. Turn on power.