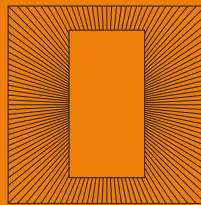


Lightplane 3.5

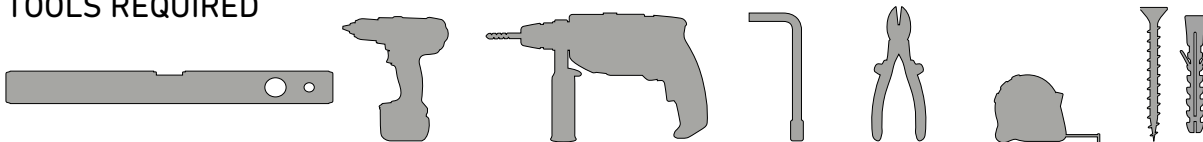
Installation Instructions - Suspended



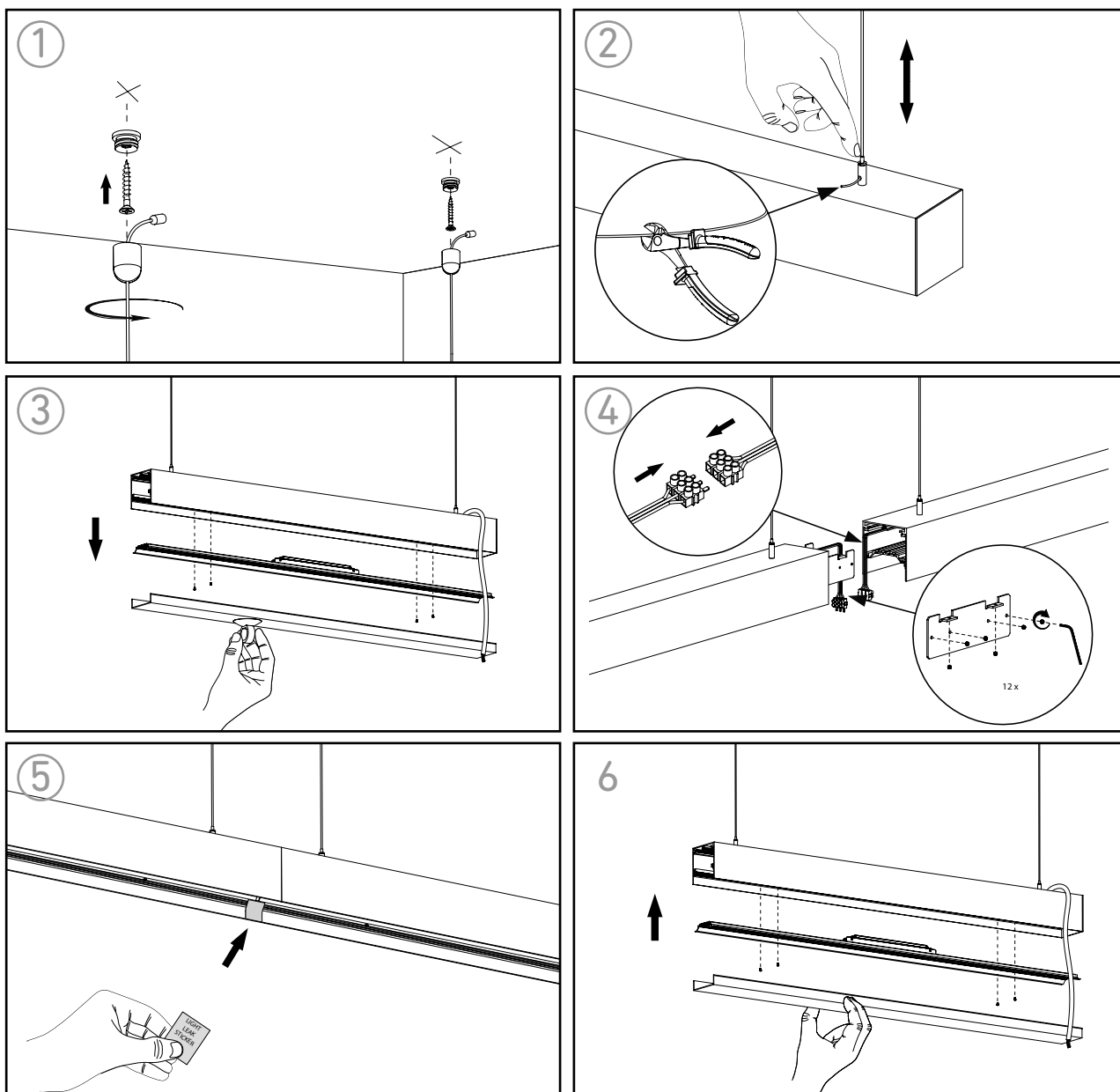
LIGHT FORMS

Linear

TOOLS REQUIRED



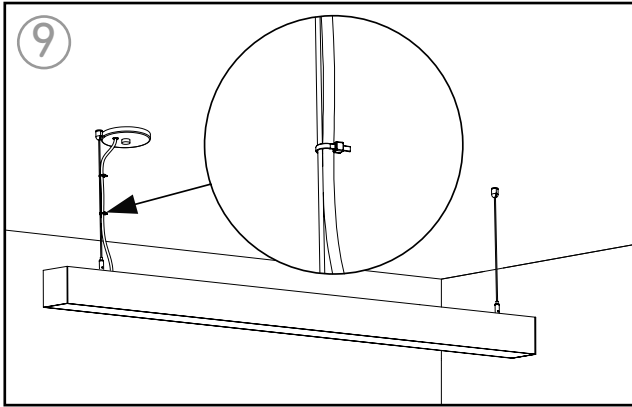
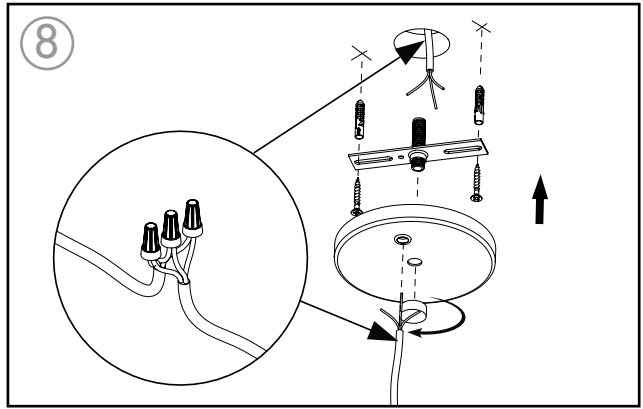
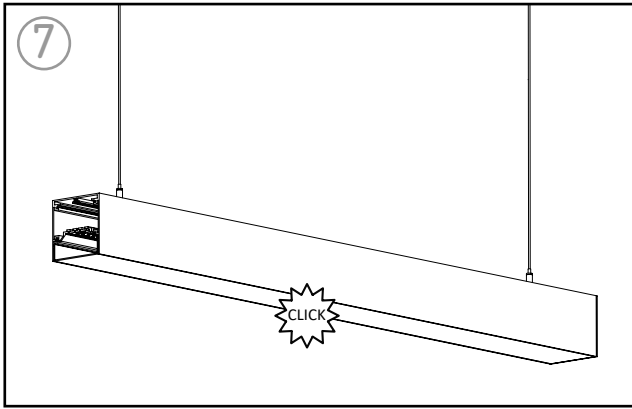
CAUTION! Make sure that the luminaire is always disconnected from mains during installation or maintenance work.



Lightplane 3.5

LIGHT FORMS

Installation Instructions - Suspended

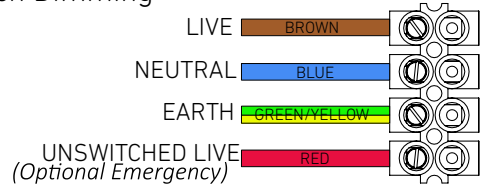


Wiring Diagrams

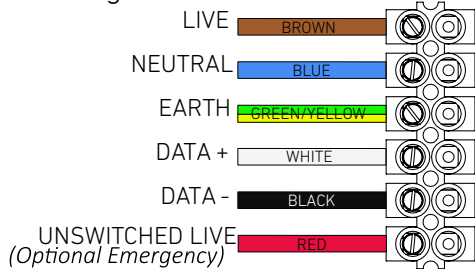
Non Dimmable (ON/OFF)



Switch Dimming



DALI Dimming



1-10V Dimming

