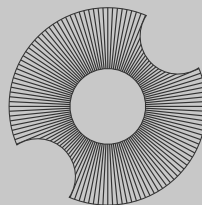


Leo 99

LE099 — DL
99 mm diameter



LIGHT FORMS

Spot

Specification



Recessed



Photometry and additional documentation at:
[LightForms.com /products/all/leo/](https://LightForms.com/products/all/leo/)

Features

Direct Distribution

Up to 1442 LM and 109 LM/W

Three Standard Output Options

Tunable White and RGB+W Options

21°, 32°, 42°, 52° Beam Spreads

Remote DALI, DMX, 10V or Phase Driver

Dimming Down to 0%

Remote Sensor Options

Aluminium, White, Black, Bronze or Custom RAL Finish

LE099 — DL

INSTRUCTIONS

Digital users: Check selection boxes and fill in fields directly in fillable, interactive PDF, save file, submit to Light Forms. Manual users: Check selection boxes and fill in fields with pen, scan and save ALL pages as PDF document, submit to Light Forms.

1 Base model / mounting Select ONE

LE099-DL Recessed

2 Spot Options Select ONE from EVERY category

Beam	Output	CRI	CCT
<input type="checkbox"/> 21° spread	<input type="checkbox"/> MIN	<input type="checkbox"/> 80	<input type="checkbox"/> 2700K
<input type="checkbox"/> 32° spread	<input type="checkbox"/> MED	<input type="checkbox"/> 90	<input type="checkbox"/> 3000K
<input type="checkbox"/> 42° spread	<input type="checkbox"/> MAX		<input type="checkbox"/> 3500K
<input type="checkbox"/> 52° spread			<input type="checkbox"/> 4000K

3 Remote driver* Select ONE

NONDIM Non-dimming

DALI# DALI driver, dimming down to 1%

1/10V 1-10V, dimming down to 1%

0/10V 0-10V, dimming down to 0%

DMX DMX driver, dimming down to 1%

PHASE For use with phase-cut triac, IGBT or sine wave dimmer switches

CAS Casambi

#DALI is required for use with TUNE/S; DALI (or DMX) is required for RGB/S

4 Finish* Select ONE

AL Anodised aluminium (standard)

WH White powdercoat

BLK Black powdercoat

BZ Metallic bronze powdercoat

RAL/ _____ Custom RAL# colour powdercoat, ex: RAL/3000

*Contact factory for additional finish options including Interpon, Farrow & Ball and silver and gold plating

LE099 — DL

5

Optional add-ons

Select as many as apply

A

EM

EMERGENCY

Remote, 3-hour emergency battery, manual testing

EM/DALI

Remote, 3-hour emergency battery with DALI interface, automatic testing

EC

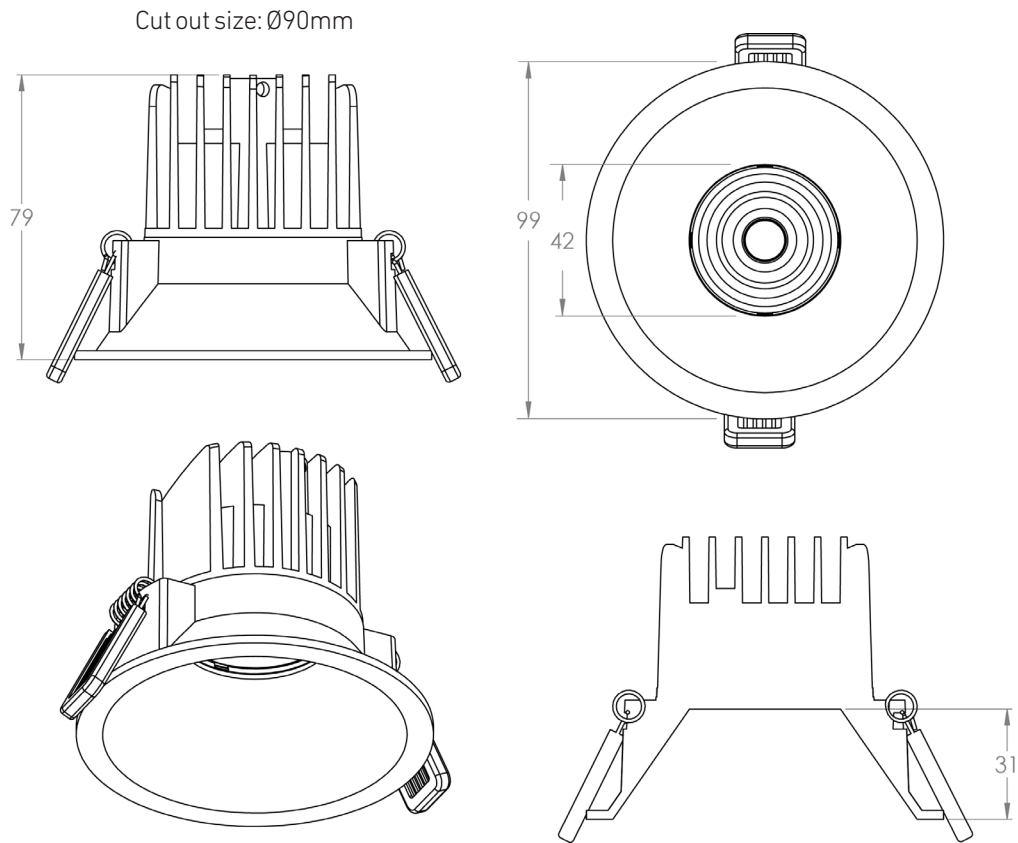
Emergency circuit

Leo 99

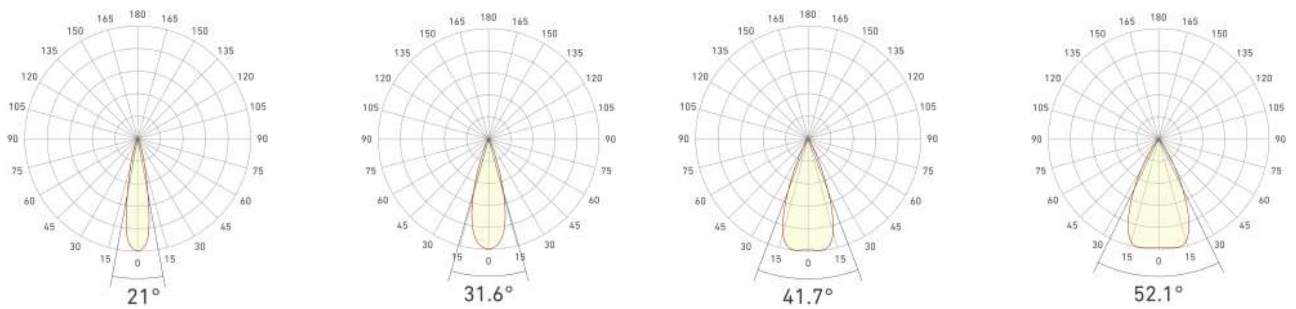
LIGHT FORMS

LE099 — DL

Dimensions



Distribution



Leo 99

LIGHT FORMS

LE099 — DL

Housing

100% recyclable, extruded architectural grade aluminium with minimum 2mm thickness.

Finish options

Silver, White, Black, Bronze or custom RAL powdercoat. Contact Light Forms for other finish options (Interpon, Farrow & Ball, and silver and gold plating).



Operating temperature

Luminaire MUST be installed and operated ONLY in dry or damp environments where the ambient temperature ranges from -20°C to 50°C. Luminaire operation in environments outside this temperature range voids the warranty AND may damage the product or adversely impact lamp life, lumen output and colour consistency.

Warranty

5-year limited warranty.

Manufacturing & certification

Products are manufactured in and comply with the health, safety and environmental protection standards of the respective region in which they are sold.



Europe



United Kingdom



Greater India
and Middle East