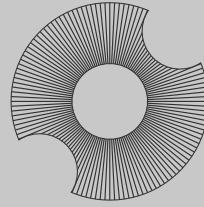


Carina Large

Installation Instructions



LIGHT FORMS

Spot



Safety & Warning!

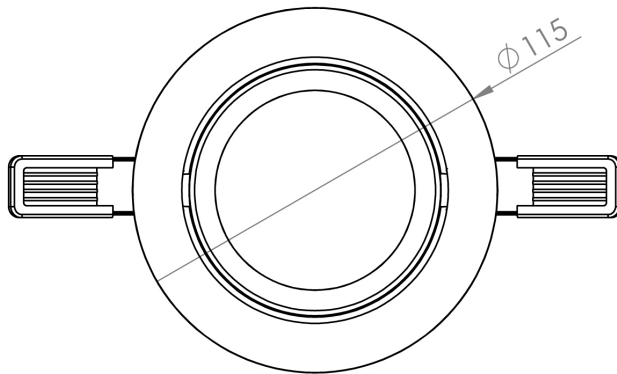
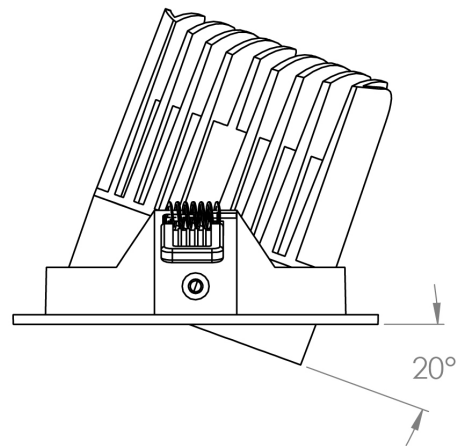
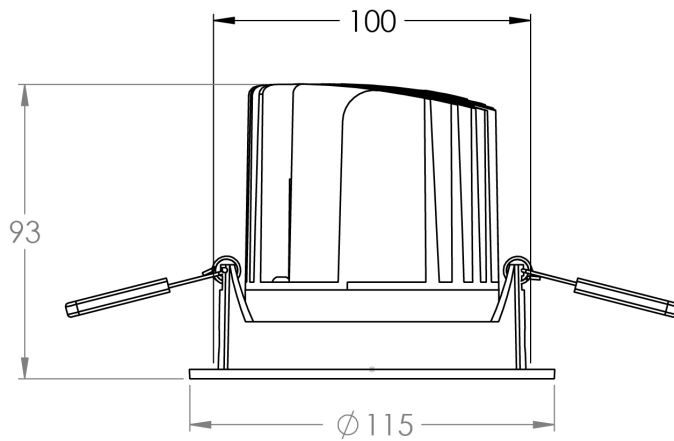
1. Read all instructions carefully.
2. All the installation must be completed by a qualified electrician.
3. Install in accordance with national and local electrical code regulations.
4. Turn off electrical power before installing or servicing fixture in any way.
5. Install only at dry areas.
6. To reduce the risk of fire and overheating, make sure all connections to be done properly.

Carina Large

LIGHT FORMS

Installation Instructions

Luminaire Overview



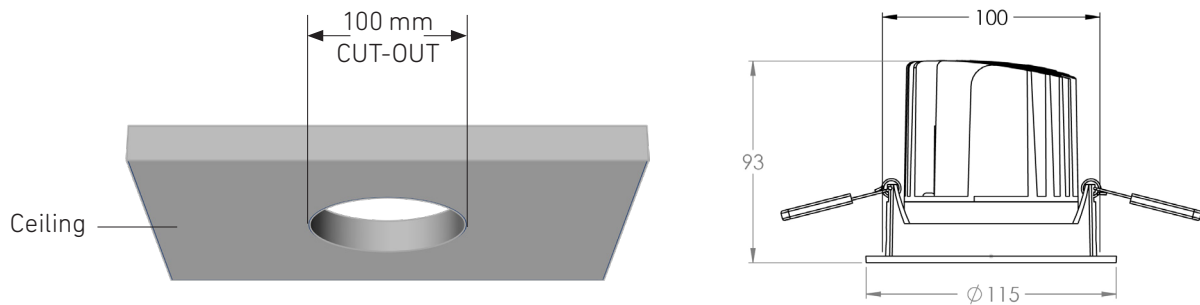
Carina Large

LIGHT FORMS

Installation Instructions

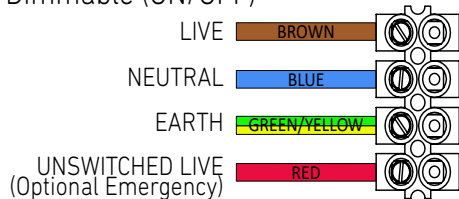
1. Turn off the main electrical supply from the fuse box before proceeding the installation process.

1. Make cut out in the ceiling as per the dimensions noted below.

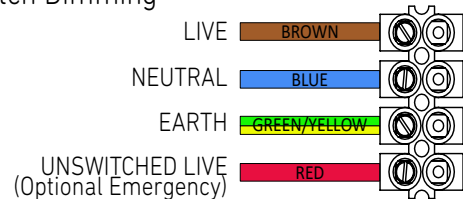


3. Wiring Diagram (non-dim and dim).

Non Dimmable (ON/OFF)



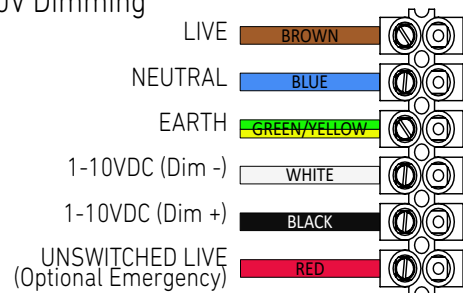
Switch Dimming



DALI Dimming



1-10V Dimming



4. Turn on power.