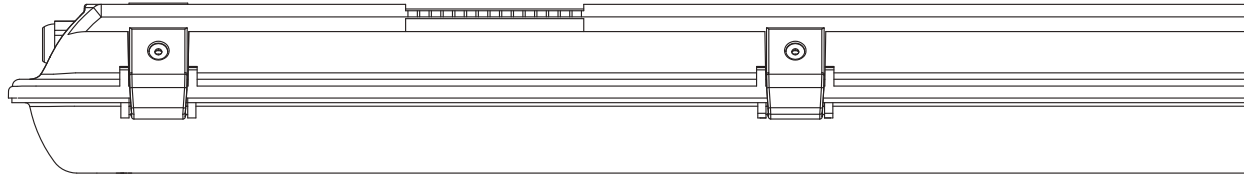


Batten 1200 and 1500

Installation / Maintenance Instructions

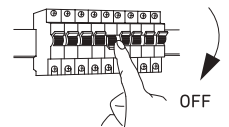
LIGHT FORMS



- BA-00001 - Batten 120 surface
- BA-00003 - Batten 150 Surface
- BA-00002 - Batten 120 Suspended
- BA-00004 - Batten 150 Suspended

Precautions and Warnings

- Read all instructions carefully, the safety of this product is only guaranteed if the instructions are followed, retain these instructions for future use.
- Turn off the power supplier before installation and maintenance.
- Installation must be carried out by a trained professional in accordance with all National electrical codes and regulations.
- To avoid the risk of fire and overheating, make sure all connection, including those made by others, are correct and secure.
- Do not pinch or apply excessive tension on the electrical wires. Damage due to improper handling and installation will void the warranty.
- If there is any damage to the product or the cable, the product must be returned to the retailer or manufacturer.



Luminaire Details

Power Supply:	230V AC 50Hz
IP Rating:	IP65
Class:	⊕
Operating temp:	-20°C - 45°C

Fixing Method:	Suspended and Surface mount	
	120	150
Length:	1215mm	1515mm
Width:	116mm	116mm
Height:	74mm	74mm

Light Forms
UK Head Office

LightForms.com

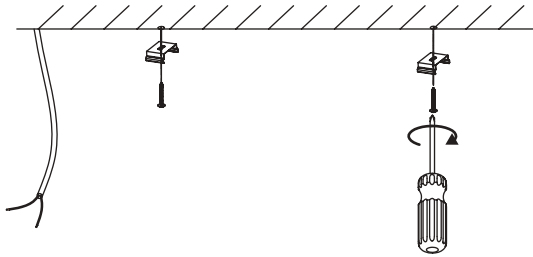
8 Richfield Avenue
Reading
RG1 8EQ

T +44 (0)20 8571 3785
E London@
LightForms.com

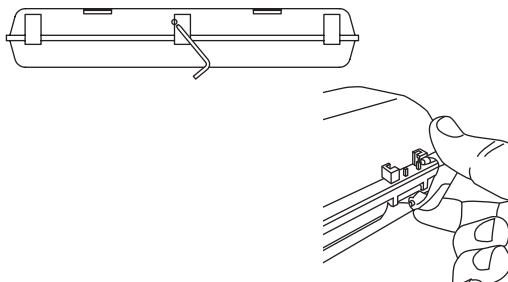
Batten 1200 and 1500 Surface Installation / Maintenance Instructions

LIGHT FORMS

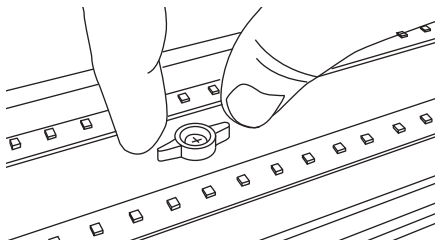
- 1** Screw the two metal ceiling brackets to the ceiling using appropriate fixings.



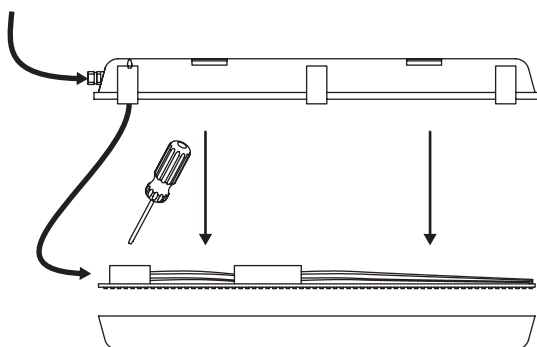
- 2** Use the hex key to remove the locking screws then release the metal clips and open the fixture.



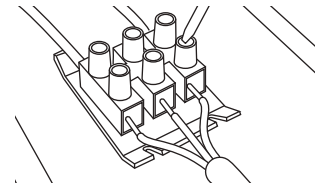
- 3** Twist the plastic locking nuts holding the LED tray in place and carefully remove the tray.



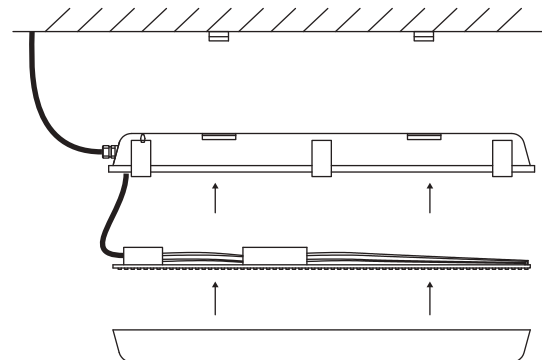
- 4** Prepare the AC cable. Remove the bung in the cable gland, loosen the gland nut and feed the cable into the fixture.



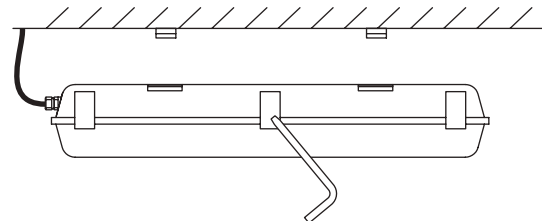
- 5** Make the electrical connection into the marked terminal block.



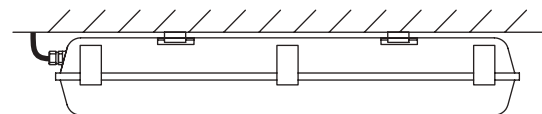
- 6** Replace the LED tray, taking care not to trap the safety tethers or electrical cable.



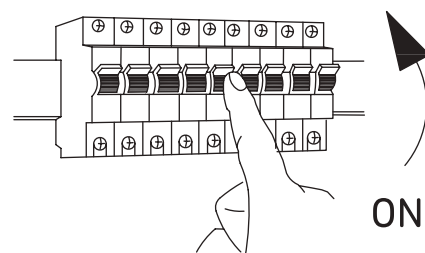
- 7** Close the fixture and replace the locking screws. Ensure the nut is tightened on the cable gland.



- 8** Firmly attach the fixture to the ceiling brackets



- 9** **TURN ON POWER**



Light Forms
UK Head Office

LightForms.com

8 Richfield Avenue
Reading
RG1 8EQ

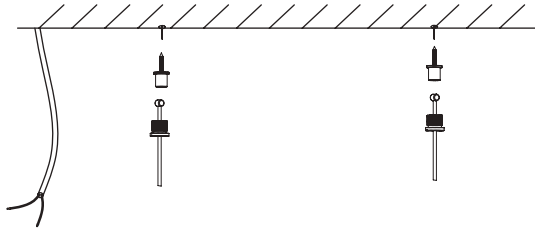
T +44 (0)20 8571 3785
E London@
LightForms.com

Batten 1200 and 1500 Suspended Installation / Maintenance Instructions

LIGHT FORMS

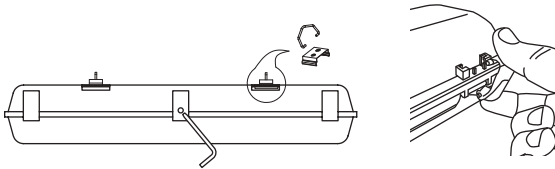
1

Screw the suspension ceiling brackets to the ceiling using appropriate fixings.



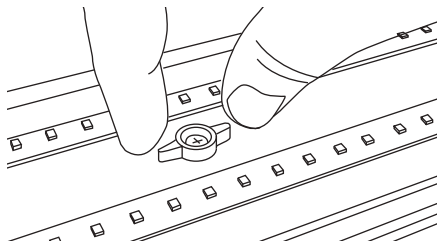
2

Attach the metal brackets with the wire yokes to the back of the fixture. Use the hex key to remove the locking screws then release the metal clips and open the fixture.



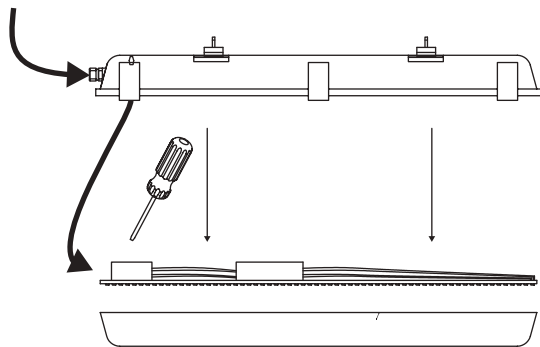
3

Twist the plastic locking nuts holding the LED tray in place and carefully remove the tray.



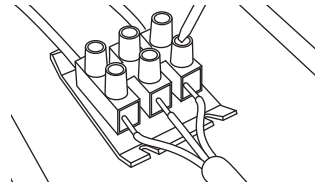
4

Prepare the AC cable. Remove the bung in the cable gland, loosen the gland nut and feed the cable into the fixture.



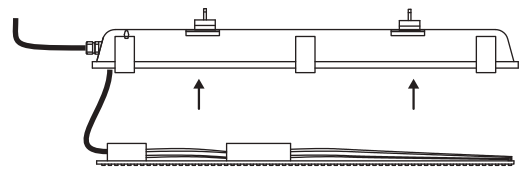
5

Make the electrical connection into the marked terminal block.



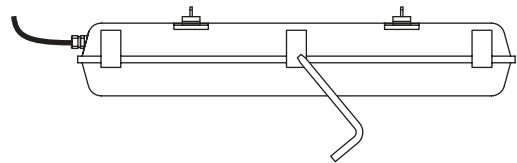
6

Replace the LED tray, taking care not to trap the safety tethers or electrical cable.



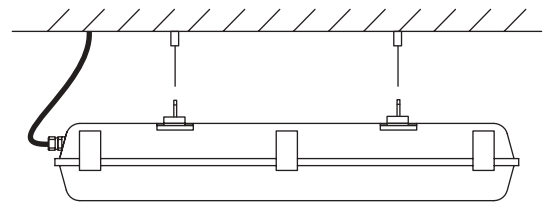
7

Close the fixture and replace the locking screws. Ensure the nut is tightened on the cable gland.



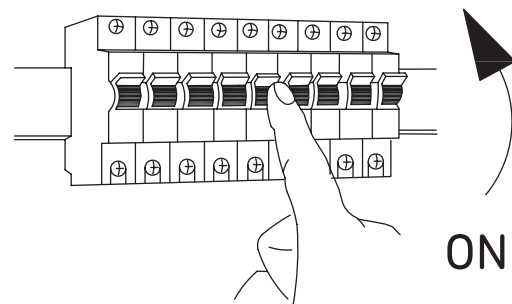
8

Connect the suspension wires to the fixture.



9

TURN ON POWER



Light Forms
UK Head Office

LightForms.com

8 Richfield Avenue
Reading
RG1 8EQ

T +44 (0)20 8571 3785
E London@
LightForms.com