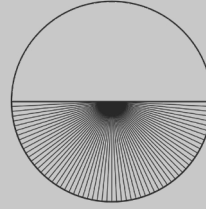


# Ara Medium 84

Ara Medium Fixed Square (Trim)  
DL-00005  
116 mm x 116 mm x 127mm



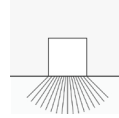
**LIGHT FORMS**

Down/Spotlights

## Specification



## Recessed



## Features

- Up to 2040 lumens
- Up to 108lm/W
- CRI97 R95 COB options available
- Binning < 2 step Macadam on all fixed white options
- Available in tuneable white
- Combined lens and reflector construction providing <15UGR at 50° cutoff
- Acrylic softening lens for smooth edges and even colour mixing for tunable white
- Large range of power options
- Hi-grade extruded aluminium heatsink
- Suitable for use in 50°C ambient temperatures at 20W and lower
- Engine IP54
- Cutout 105mm x 105mm
- Available with a range of bezel colours and reflector finishes as standard.
- 0-100% dimmable.

Photometry and additional documentation at:  
[LightForms.com/products/spot/Ara Medium 84/](https://LightForms.com/products/spot/Ara%20Medium%2084/)

# Ara Medium 84

LIGHT FORMS

DL-00005

**DL - 00005 - - - - -**

**1. Bezel Colour**

Black	- B
White	- W
Custom RAL	- - - - -

**2. Reflector Colour**

Polished Chrome	- A
Satin Chrome	- B
Brushed Chrome	- C
Polished Gold	- D
Antique Gold	- E
Matt White	- F
Matt Black	- G
Polished Copper	- H
Antique Copper	- I
Black Nickel	- J
Brushed Nickel	- K
Polished Pewter	- L
Light Pewter	- M
Antique Pewter	- N
Custom RAL	- - - - -

**3. Power**

Xicato Min (912lm max)	- 10
Xicato Med (1221lm max)	- 14
Xicato Max (1333lm max)	- 16
Cree Min (1038lm max)	- 10
Cree Low (1534lm max)	- 16
Cree Med (1696lm max)	- 20
Cree Max (2040lm max)	- 25
Bridgelux Min (857lm max)	- 10
Bridgelux Max (1378lm max)	- 20

**4. Chip Options**

Xicato 96CRI 2700K	- 127
Xicato 96CRI 3000K	- 130
Xicato 96CRI 3500K	- 135
Xicato 96CRI 4000K	- 140
Cree 92CRI 2700K	- 927
Cree 92CRI 3000K	- 930
Cree 92CRI 3500K	- 935
Cree 92CRI 4000K	- 940
Bridgelux Tuneable White 2700K – 6500K	- TUN

**5. Optic Options**

Narrow (18°)	- SP
Medium (28°)	- ME
Wide (36°)	- WI
Extra wide (50°)	- WW

**6. Dimming**

Non-Dimmable	- NON
Mains Dimmable	- PHA
DALI	- DAL

**7. Optional Add Ons**

Casambi

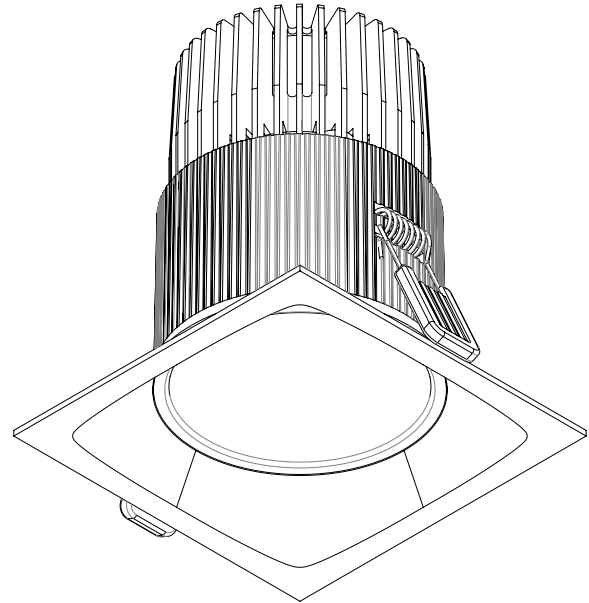
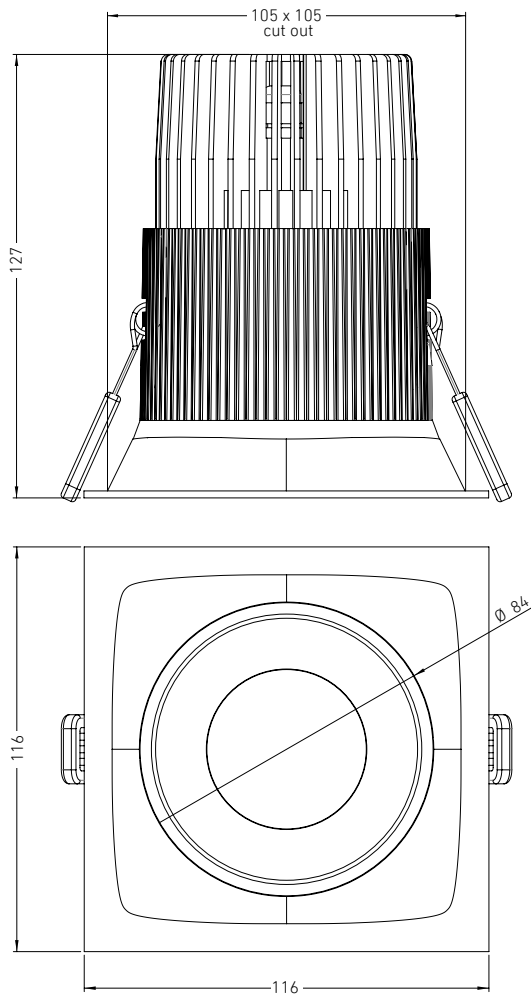
- CA

# Ara Medium 84

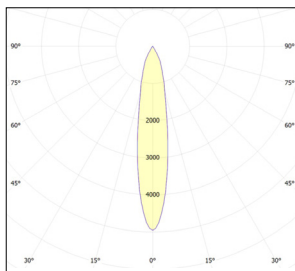
LIGHT FORMS

DL-00005

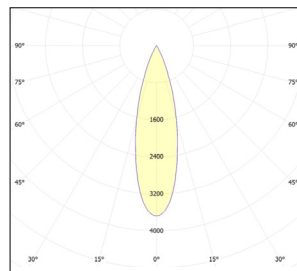
## Dimensions



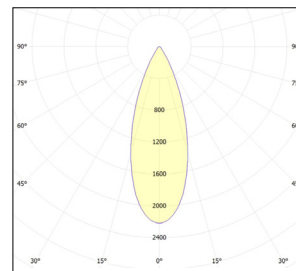
## Distribution



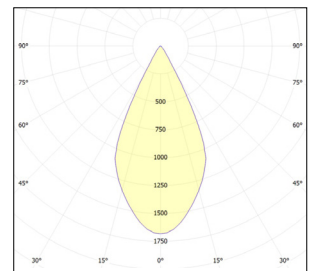
$18^\circ (\pm 2^\circ)$



$27^\circ (\pm 2^\circ)$



$36^\circ (\pm 2^\circ)$



$48^\circ (\pm 2^\circ)$

# Ara Medium 84

LIGHT FORMS

DL-00005

## Downlight Spot - Options & performance data

Output Options	Max Delivered Lumens LM	Watts W <sup>*3</sup>	Efficacy LM/W	CCT Options
Cree Min 92CRI	1038 <sup>*1</sup>	10	108	2700K 3000K 3500K 4000K
Cree Low 92CRI	1534 <sup>*1</sup>	16	96	
Cree Med 92CRI	1696 <sup>*1</sup>	20	85	
Cree Max 92CRI	2040 <sup>*1</sup>	25	82	
Xicato Min 96CRI	912 <sup>*1</sup>	10	91	2700K 3000K 3500K 4000K
Xicato Med 96CRI	1221 <sup>*1</sup>	14	87	
Xicato Max 96CRI	1333 <sup>*1</sup>	16	83	
Bridgelux Min 90CRI	857 <sup>*2</sup>	10	86	2700K - 6500K
Bridgelux Max 90CRI	1378 <sup>*2</sup>	20	69	

**L80 > 50,000 hours**  
**Luminous flux +/- 5%**

\*1 - at 4000K 28° beam

\*2 - at 6500K 36° beam

\*3 - Rounded up

For complete performance data please contact Light Forms

# Ara Medium 84

LIGHT FORMS

DL-00005

## Housing

Extruded 6063-T6 grade aluminium, machined to ensure IP54 seal and optimum thermal performance.

## Bezel finish

The diecast bezel is available in black, white or a Custom RAL colour.

 White WH    Black BLK    Custom RAL

## Reflector Finish

The spun aluminium reflector is available in a wide range of finishes, both polished and satin, in a range of high quality metallic finishes as well as custom solid colours.

## Operating temperature

Luminaire can operate in ambient temperatures up to 50°C (excluding the 25W option which must not be operated in environments above 35°C). Luminaire operation in environments outside this temperature range voids the warranty AND may damage the product or adversely impact lamp life, lumen output and colour consistency.

## Warranty

5-year limited warranty.

## Manufacturing & certification

Products are manufactured in and comply with the health, safety and environmental protection standards of the respective region in which they are sold.



Europe



United Kingdom



Greater India  
and Middle East