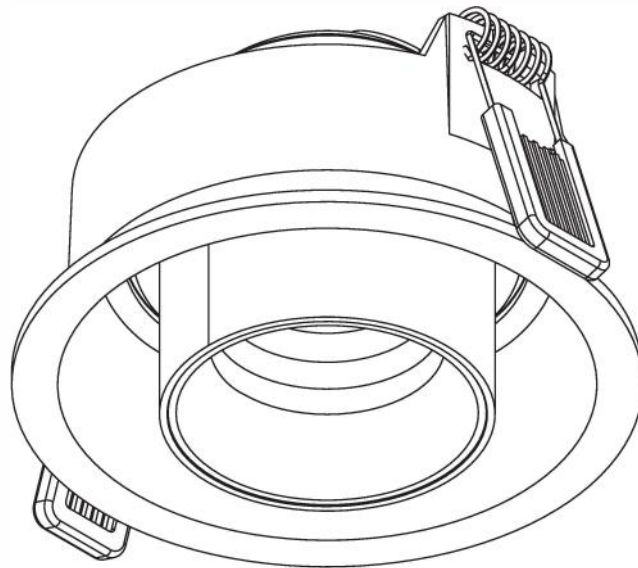


# Pyxis 110 Downlight

## Installation / Maintenance Instructions

**LIGHT FORMS**



PYX110-DL

### Precautions and Warnings

- Read all instructions carefully, the safety of this product is only guaranteed if the instructions are followed, retain these instructions for future use.
- Turn off the power supplier before installation and maintenance.
- Installation must be carried out by a trained professional in accordance with all National electrical codes and regulations.
- To avoid the risk of fire and overheating, make sure all connection, including those made by others, are correct and secure.
- Do not pinch or apply excessive tension on the electrical wires. Damage due to improper handling and installation will void the warranty.
- If there is any damage to the product or the cable, the product must be returned to the retailer or manufacturer.



### Luminaire Details

Power Supply:	230V AC 50Hz
IP Rating:	IP20
Class:	
Ta Max:	45°C

Fixing Method:	Spring clip
Bezel Diameter:	110mm
Recess Depth:	65.2mm
Ceiling cutout	98mm
Ceiling Thickness range:	1-40mm

Light Forms  
UK Head Office

LightForms.com

8 Richfield Avenue  
Reading  
RG1 8EQ

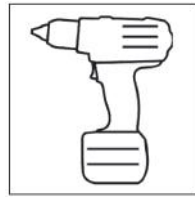
T +44 (0)20 8571 3785  
E London@  
LightForms.com

# Pyxis 110 Downlight

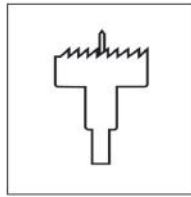
## Installation / Maintenance Instructions

**LIGHT FORMS**

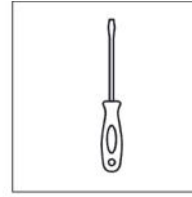
### Tools for Installation



Drill



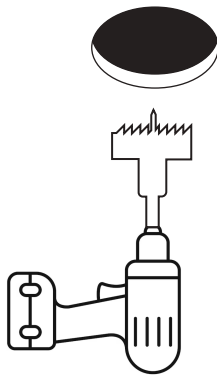
Holesaw 98mm



Screwdriver

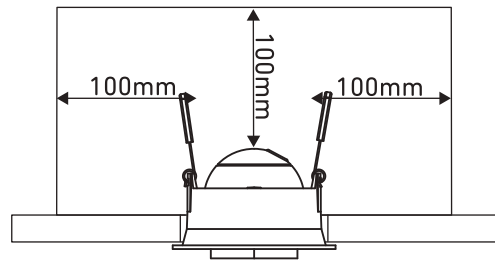
**1**

Cut 98mm diameter hole in ceiling



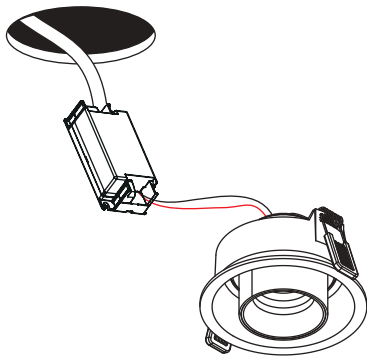
**3**

Insert luminaire, ensure 100mm clearance between luminaire and insulation. DO NOT COVER DRIVER.



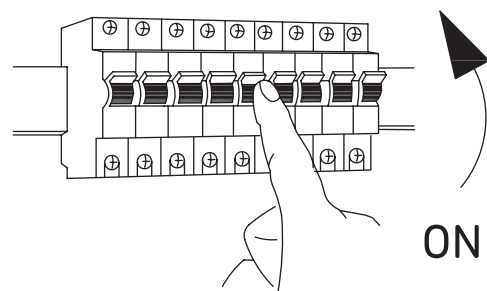
**2**

Make electrical connections to driver.



**4**

Turn on power.



See next page for wiring details.

Light Forms  
UK Head Office

LightForms.com

8 Richfield Avenue  
Reading  
RG1 8EQ

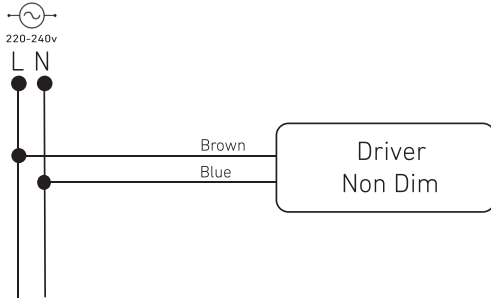
T +44 (0)20 8571 3785  
E London@  
LightForms.com

# Pyxis 110 Downlight

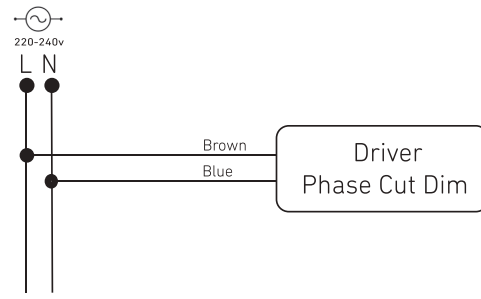
## Installation / Maintenance Instructions

**LIGHT FORMS**

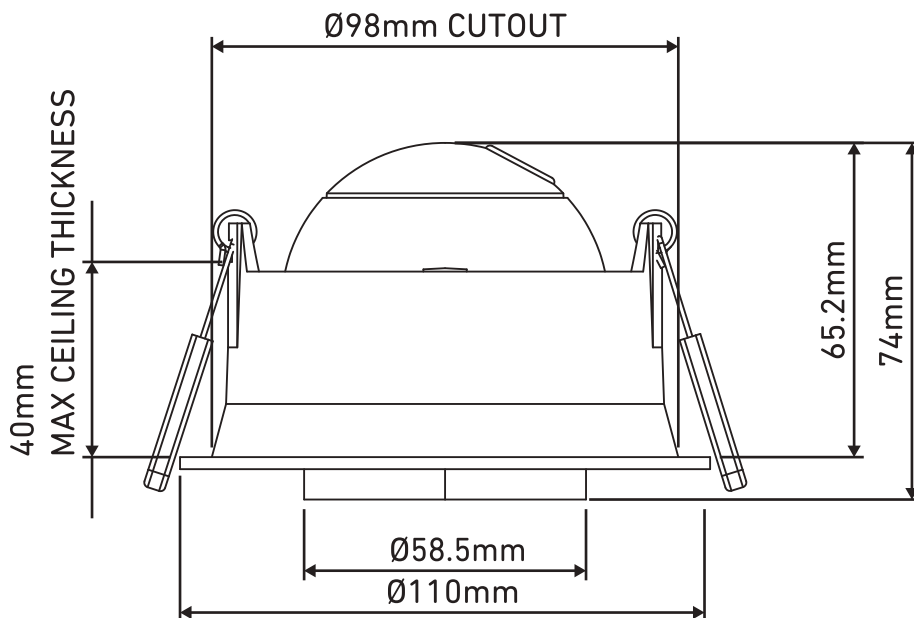
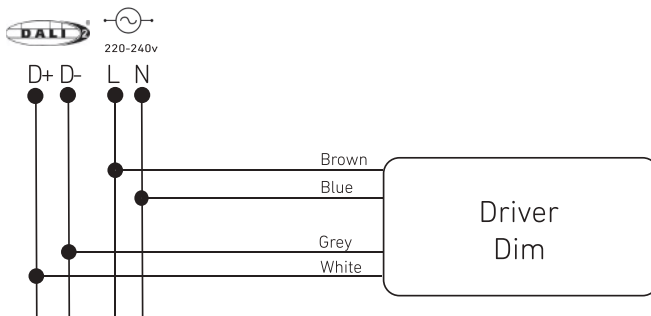
• Wiring Diagram for Non Dimmable Driver



• Wiring Diagram for Phase Cut Driver



• Wiring Diagram for DALI dimming Driver



Light Forms  
UK Head Office

LightForms.com

8 Richfield Avenue  
Reading  
RG1 8EQ

T +44 (0)20 8571 3785  
E London@  
LightForms.com

Registered in England & Wales  
No. 6750892

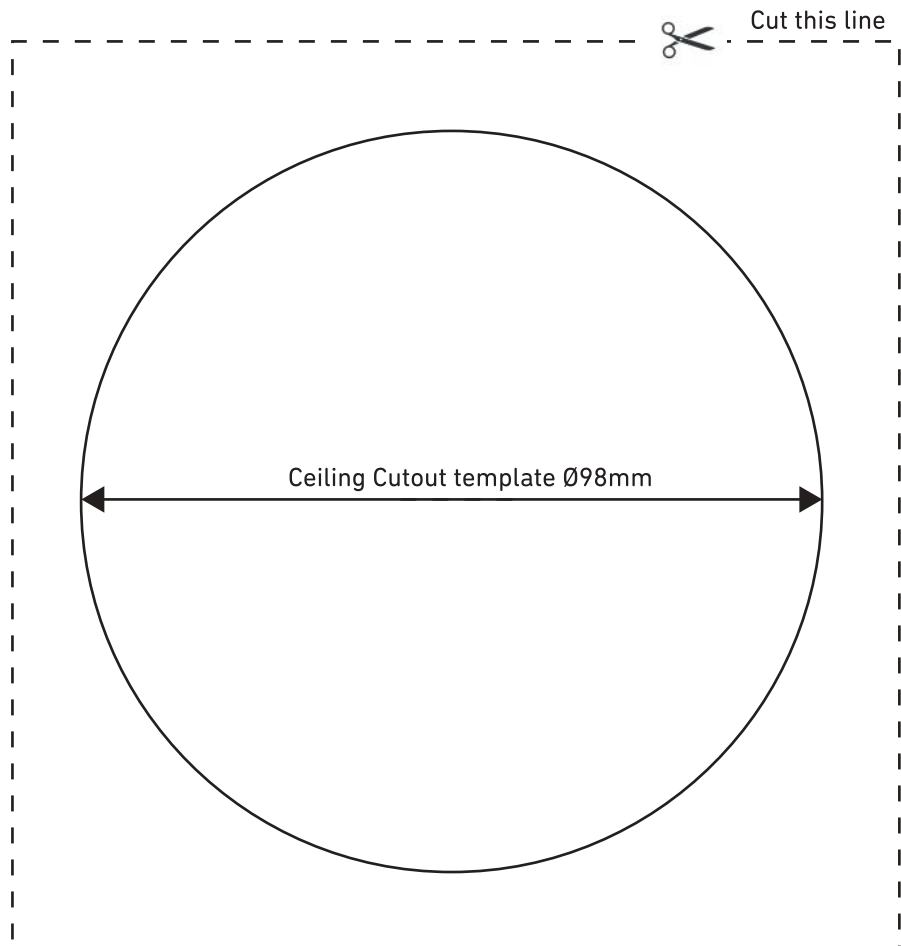
ISO 9001 Quality Management  
ISO 14001 Environmental Management  
ISO 45001 Occupational Health & Safety Management

# Pyxis 110 Downlight

## Installation / Maintenance Instructions

---

**LIGHT FORMS**



---

Light Forms  
UK Head Office

LightForms.com

8 Richfield Avenue  
Reading  
RG1 8EQ

T +44 (0)20 8571 3785  
E London@  
LightForms.com

---

Registered in England & Wales  
No. 6750892

ISO 9001 Quality Management  
ISO 14001 Environmental Management  
ISO 45001 Occupational Health & Safety Management