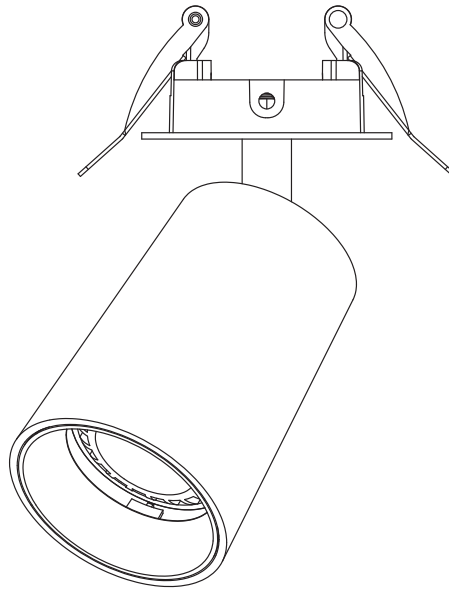


Pictor Recessed 68

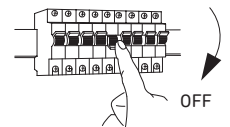
Installation / Maintenance Instructions

LIGHT FORMS



Precautions and Warnings

- Read all instructions carefully, the safety of this product is only guaranteed if the instructions are followed, retain these instructions for future use.
- Turn off the power supplier before installation and maintenance.
- Installation must be carried out by a trained professional in accordance with all National electrical codes and regulations.
- To avoid the risk of fire and overheating, make sure all connection, including those made by others, are correct and secure.
- Do not pinch or apply excessive tension on the electrical wires. Damage due to improper handling and installation will void the warranty.
- If any there is any damage to the product or the cable, the product must be returned to the retailer or manufacturer.



Luminaire Details

Power Supply:	230V AC 50Hz
IP Rating:	IP20
Class:	⊕
Ta Max:	45°C
Lamp:	GU10 25W Max

Hole Cutout:	Ø65mm
Fixing Method:	Recessed
Diameter:	Ø68mm
Length:	100mm

Light Forms
UK Head Office

LightForms.com

8 Richfield Avenue
Reading
RG1 8EQ

T +44 (0)20 8571 3785
E London@
LightForms.com

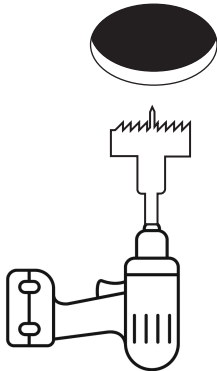
Pictor Recessed 68

Installation / Maintenance Instructions

LIGHT FORMS

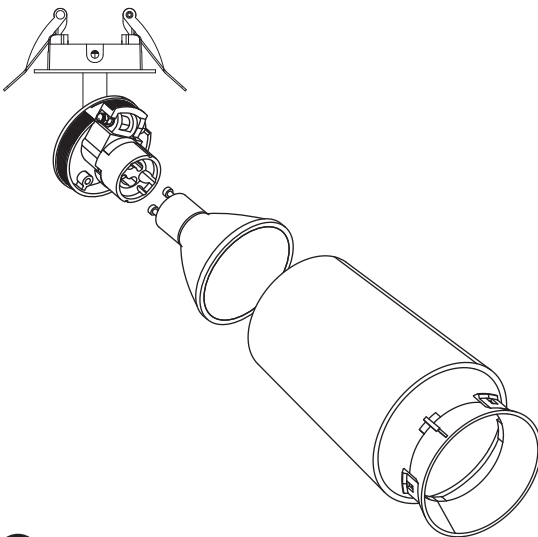
1

Cut 65mm diameter hole in ceiling



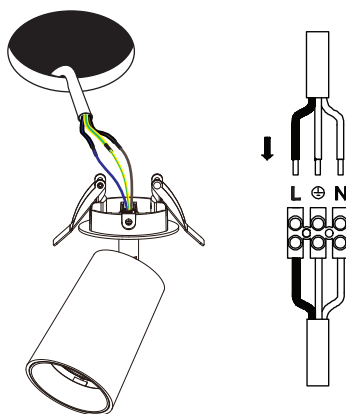
2

Unscrew body from lamp assembly and insert appropriate GU10 lamp. Be sure to correctly attached removable baffle



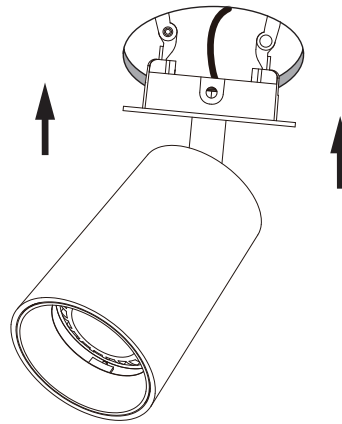
3

Make electrical connections



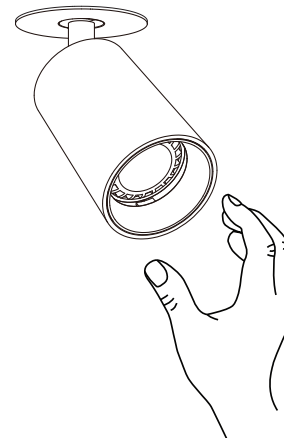
4

Insert into ceiling



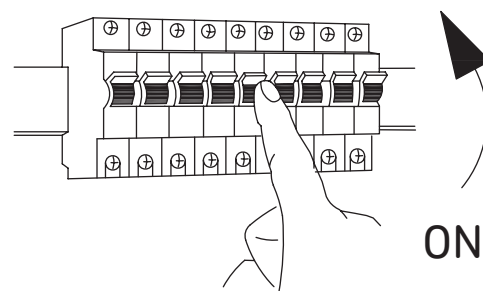
5

Adjust



6

Turn on power



Light Forms
UK Head Office

LightForms.com

8 Richfield Avenue
Reading
RG1 8EQ

T +44 (0)20 8571 3785
E London@
LightForms.com