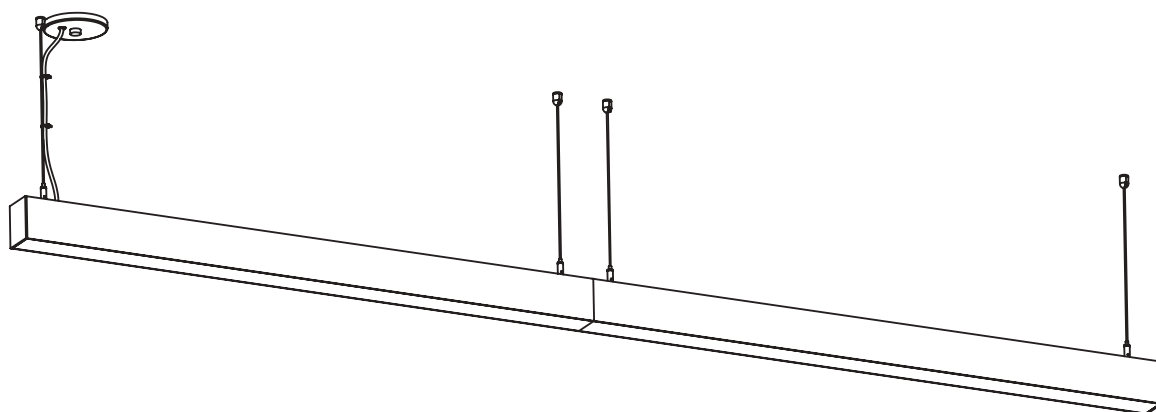


LP2.5 Vertical Suspended Installation / Maintenance Instructions

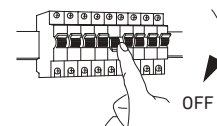
LIGHT FORMS



LP2.5-VS

Precautions and Warnings

- Read all instructions carefully, the safety of this product is only guaranteed if the instructions are followed, retain these instructions for future use.
- Turn off the power supplier before installation and maintenance.
- Installation must be carried out by a trained professional in accordance with all National electrical codes and regulations.
- To avoid the risk of fire and overheating, make sure all connection, including those made by others, are correct and secure.
- Do not pinch or apply excessive tension on the electrical wires. Damage due to improper handling and installation will void the warranty.
- If any there is any damage to the product or the cable, the product must be returned to the retailer or manufacturer.

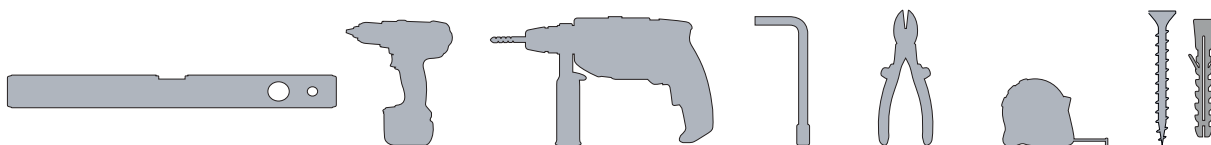


Luminaire Details

Power Supply:	230V AC 50Hz
IP Rating:	IP20
Class:	⊕
Ta Max:	45°C

Fixing Method:	Vertical Wire Suspended
Profile Height:	80mm
Profile Width:	62mm

Tools Required



Light Forms
UK Head Office

LightForms.com

8 Richfield Avenue
Reading
RG1 8EQ

T +44 (0)20 8571 3785
E London@
LightForms.com

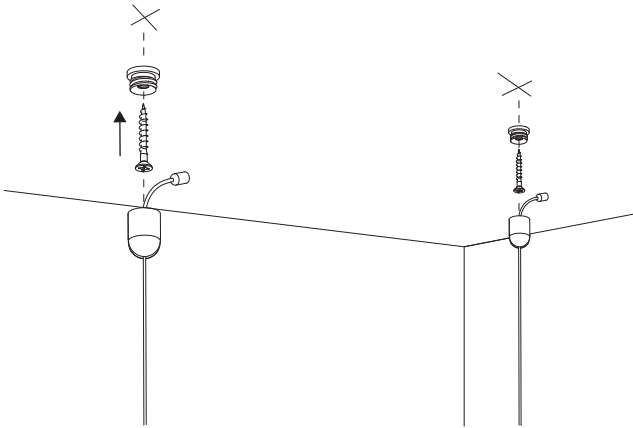
LP2.5 Vertical Suspended - Single Section

Installation / Maintenance Instructions

LIGHT FORMS

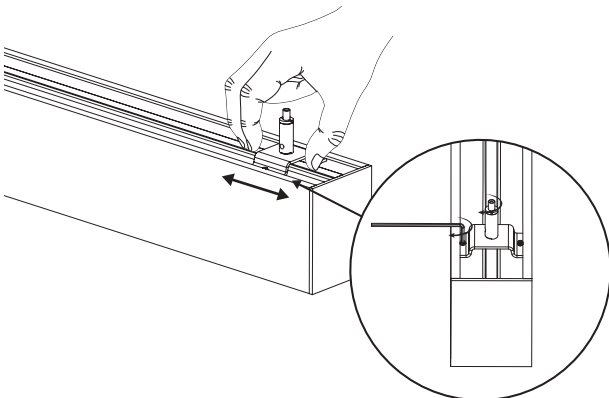
1

Measure and locate fixing location. Attach suspension bullets to the ceiling using appropriate fixings.



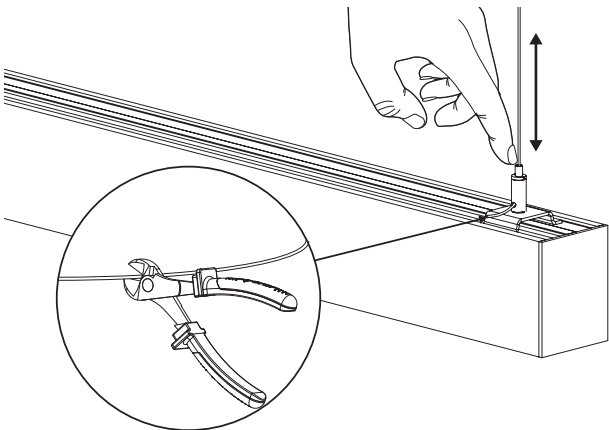
2

Adjust the suspension bracket as required. Use a hex key to ensure bracket is secured. You may need to loosen the suspension barrel.



3

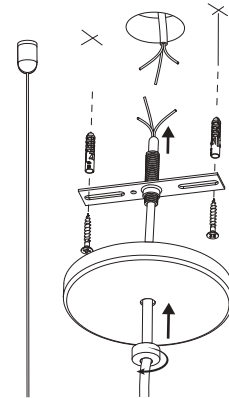
Adjust the suspension length and trim off excess wire.



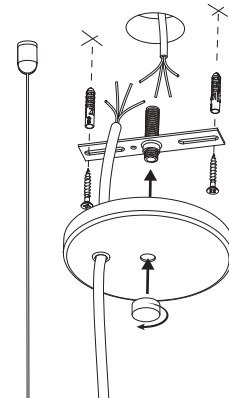
4

Mount the ceiling canopy using appropriate fixings. Make all electrical connections. See wiring identification for details.

a. Canopy style for central cable routing.

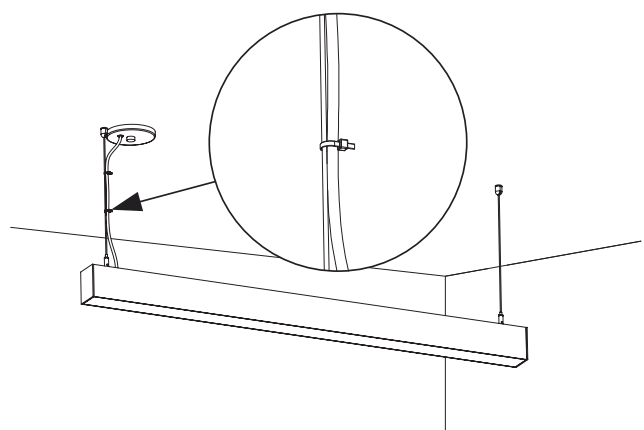


b. Canopy style for side cable routing.



5

Use cable ties to secure electrical cable to suspension wires.



Light Forms
UK Head Office

LightForms.com

8 Richfield Avenue
Reading
RG1 8EQ

T +44 (0)20 8571 3785
E London@
LightForms.com

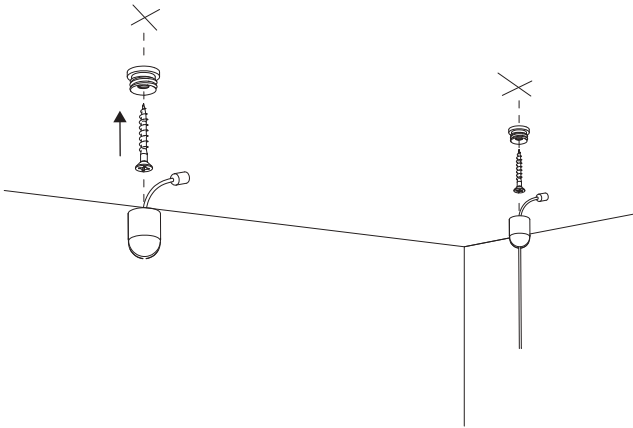
LP2.5 Vertical Suspended - Multi Section

Installation / Maintenance Instructions

LIGHT FORMS

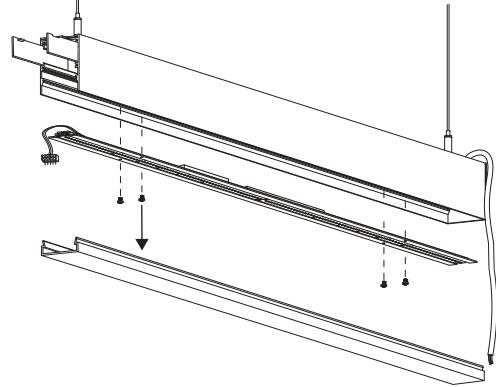
1

Measure and locate fixing location. Attach suspension bullets to the ceiling using appropriate fixings.



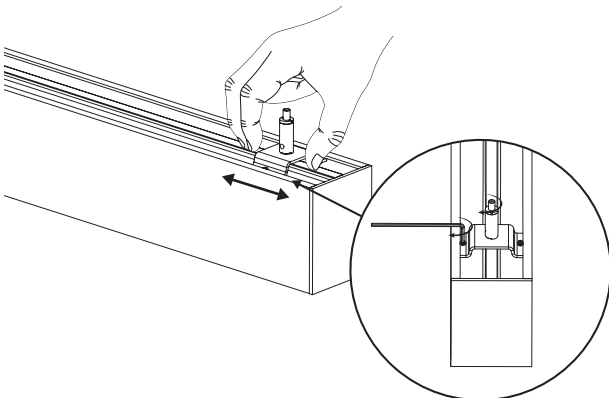
4

Remove the diffuser, unscrew the reflector fixing screws, disconnect the connector blocks and remove the reflector.



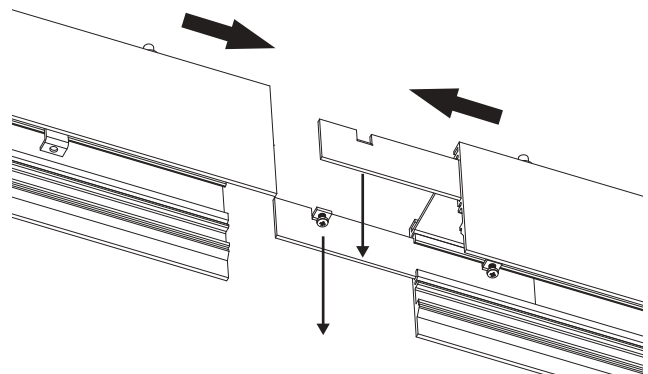
2

Adjust the suspension bracket as required. Use a hex key to ensure bracket is secured. You may need to loosen the suspension barrel.



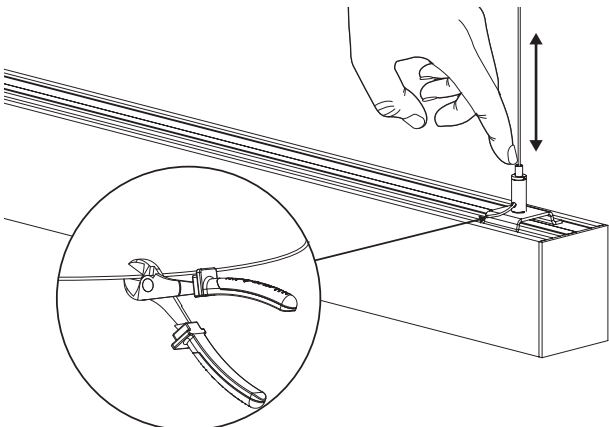
5

Loosen the screws in the two connector plates and push the two fixture sections together.



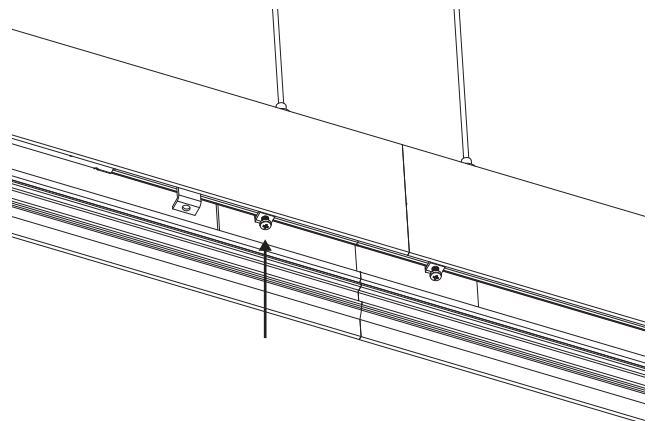
3

Adjust the suspension length and trim off excess wire.



6

With the two fixture sections firmly pushed together tighten all the screws on the connecting plate.



Light Forms
UK Head Office

LightForms.com

8 Richfield Avenue
Reading
RG1 8EQ

T +44 (0)20 8571 3785
E London@
LightForms.com

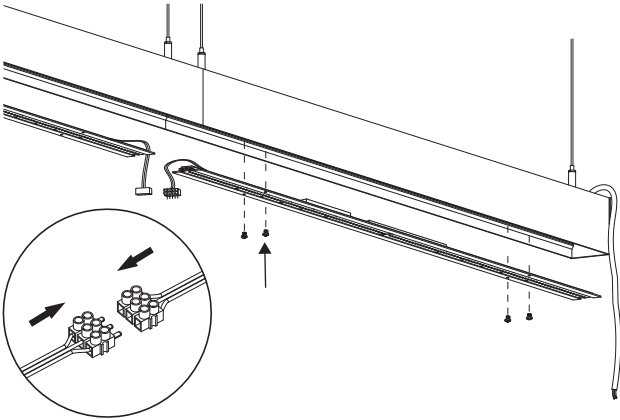
LP2.5 Vertical Suspended - Multi Section Cont.

Installation / Maintenance Instructions

LIGHT FORMS

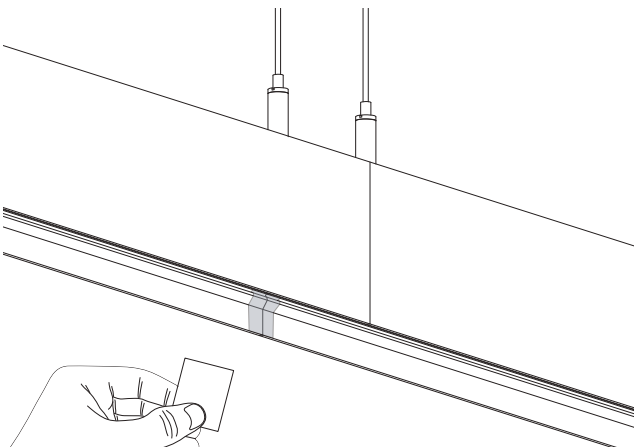
7

Replace the reflector using the fixing screws. Make connections between the housing and the reflectors and between each reflector section.



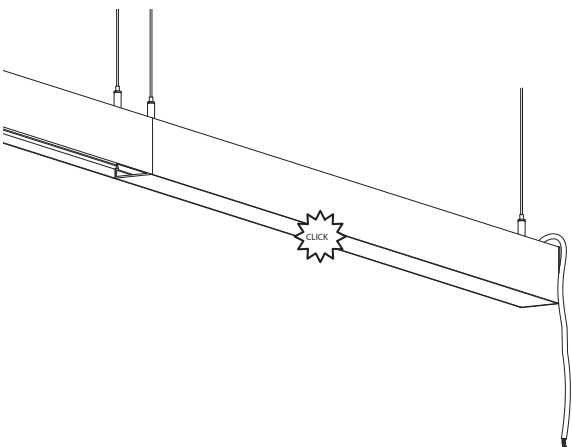
8

Use supplied light leak stickers, to cover the joints between sections.



9

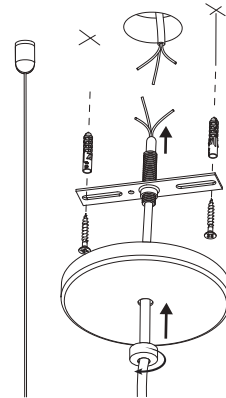
Snap the diffuser back into place. Be sure it is firmly located.



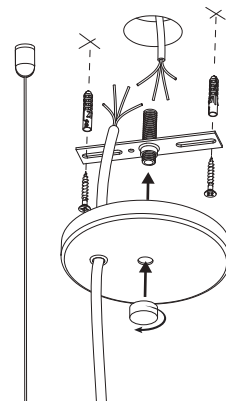
10

Mount the ceiling canopy using appropriate fixings. Make all electrical connections. See wiring identification for details.

a. Canopy style for central cable routing.

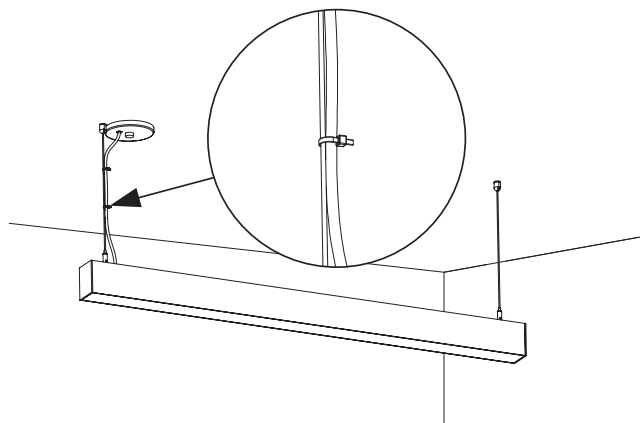


b. Canopy style for side cable routing.



11

Use cable ties to secure electrical cable to suspension wires.



Light Forms
UK Head Office





LightForms.com

8 Richfield Avenue
Reading
RG1 8EQ






T +44 (0)20 8571 3785
E London@
LightForms.com

Wiring Identification




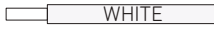


Non Dimmable (ON/OFF)

LIVE	
NEUTRAL	
GROUND	
UNSWITCHED LIVE (Optional Emergency)	







Switch Dimming

LIVE	
NEUTRAL	
RETRACTIVE	
GROUND	
UNSWITCHED LIVE (Optional Emergency)	






DALI Dimming

LIVE	
NEUTRAL	
GROUND	
DATA (Dim -)	
DATA (Dim +)	
UNSWITCHED LIVE (Optional Emergency)	

1-10V Dimming

LIVE	
NEUTRAL	
GROUND	
1-10VDC (Dim -)	
1-10VDC (Dim +)	
UNSWITCHED LIVE (Optional Emergency)	

DMX Dimming

LIVE	
NEUTRAL	
GROUND	
DMX in (Dim -)	
DMX in (Dim +)	
DMX Shield	