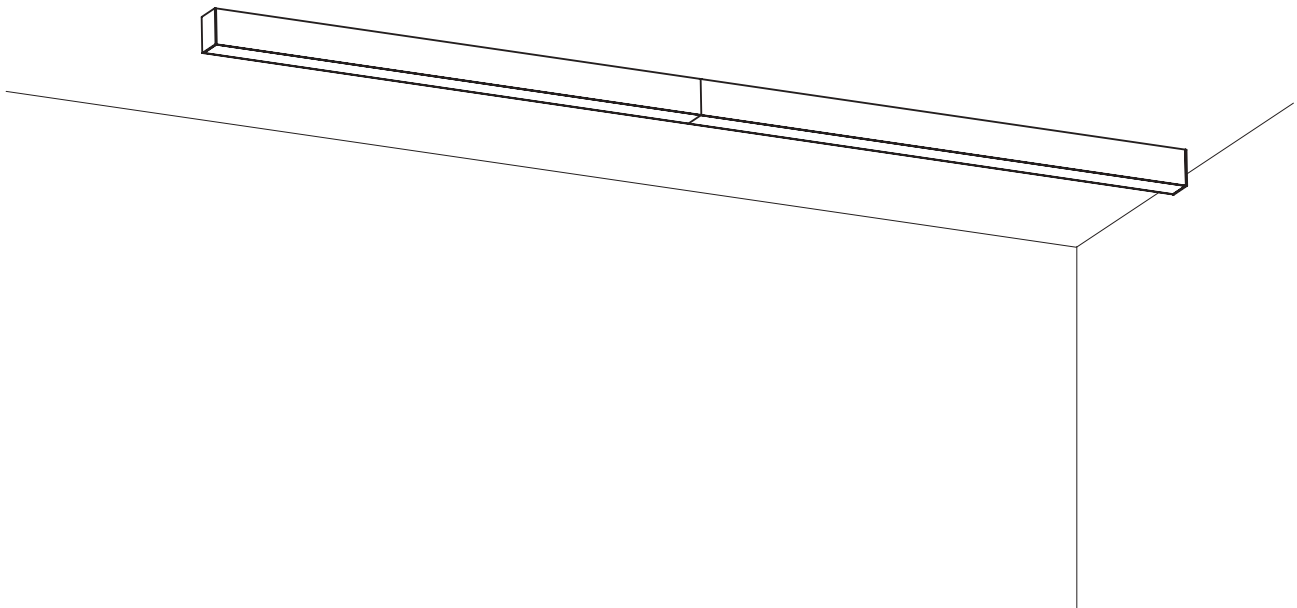


LP2.5 Surface Mount

Installation / Maintenance Instructions

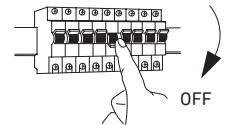
LIGHT FORMS



LP2.5-SM

Precautions and Warnings

- Read all instructions carefully, the safety of this product is only guaranteed if the instructions are followed, retain these instructions for future use.
- Turn off the power supplier before installation and maintenance.
- Installation must be carried out by a trained professional in accordance with all National electrical codes and regulations.
- To avoid the risk of fire and overheating, make sure all connection, including those made by others, are correct and secure.
- Do not pinch or apply excessive tension on the electrical wires. Damage due to improper handling and installation will void the warranty.
- If any there is any damage to the product or the cable, the product must be returned to the retailer or manufacturer.



Luminaire Details

Power Supply:	230V AC 50Hz	Fixing Method:	Vertical Wire Suspended
IP Rating:	IP20	Profile Height:	80mm
Class:	⊕	Profile Width:	62mm
Ta Max:	45°C		

Tools Required



Light Forms
UK Head Office

LightForms.com

8 Richfield Avenue
Reading
RG1 8EQ

T +44 (0)20 8571 3785
E London@
LightForms.com

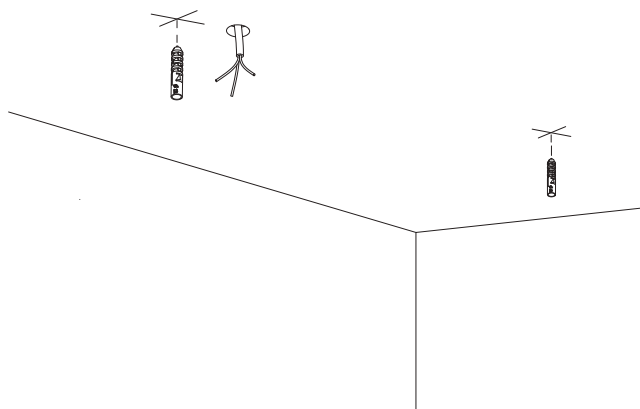
LP2.5 Surface Mount - Single Section

Installation / Maintenance Instructions

LIGHT FORMS

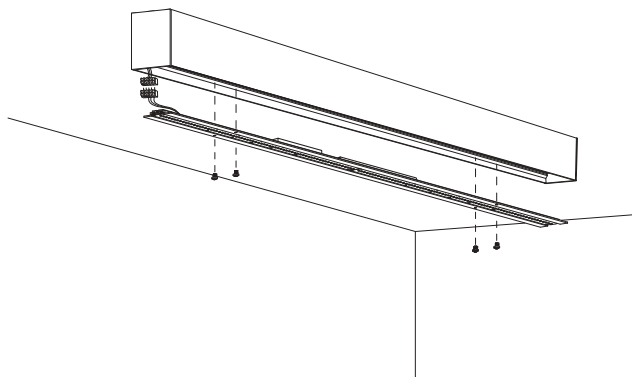
1

Measure and drill fixing location. Insert appropriate anchors or plugs. Prepare electrical connections.



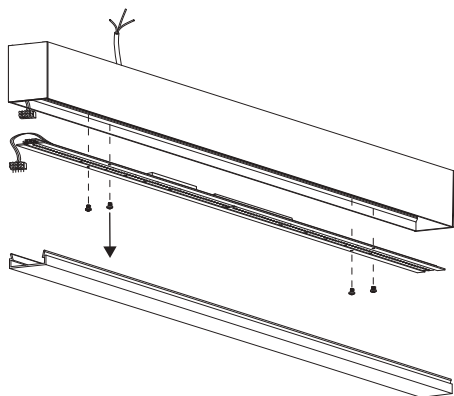
4

Connect the connector blocks and secure the reflector using the reflector fixing screws.



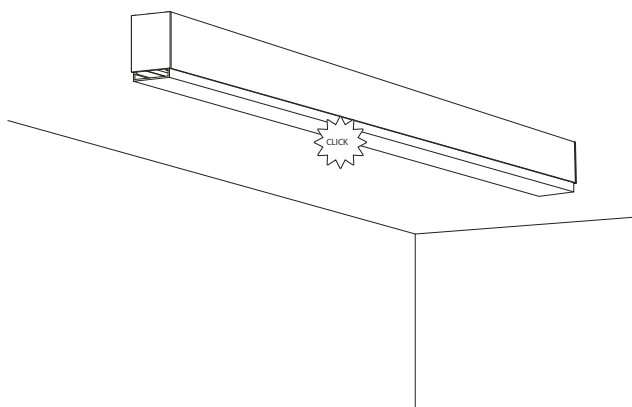
2

Remove the diffuser, unscrew the reflector fixing screws, disconnect the connector blocks and remove the reflector.



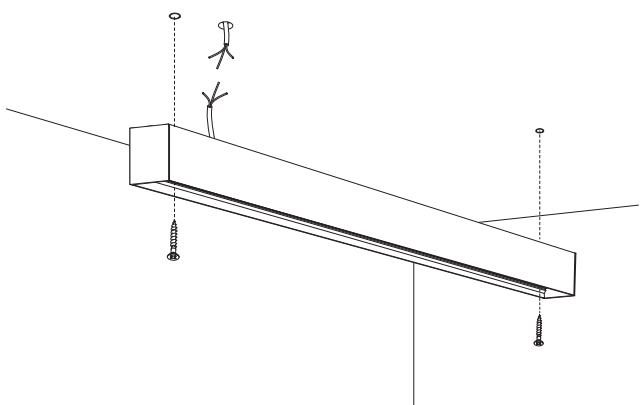
5

Snap the diffuser back into place. Be sure it is firmly located.



3

Secure the fixture to the ceiling using appropriate fixing screws. Make electrical connections.



Light Forms
UK Head Office

LightForms.com

8 Richfield Avenue
Reading
RG1 8EQ

T +44 (0)20 8571 3785
E London@
LightForms.com

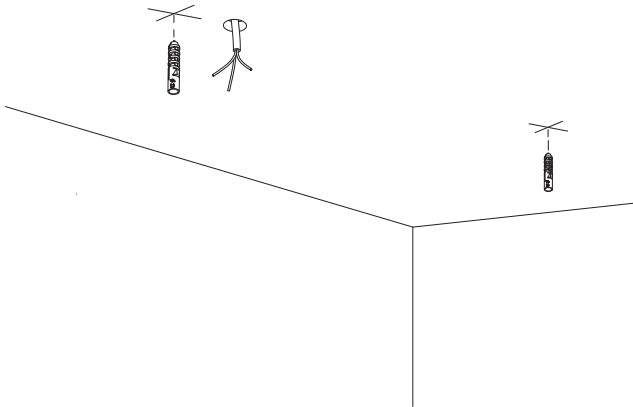
LP2.5 Surface Mount - Multi Section

Installation / Maintenance Instructions

LIGHT FORMS

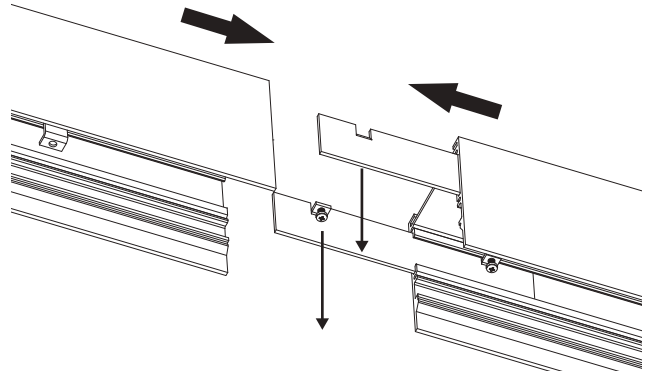
1

Measure and drill fixing location. Insert appropriate anchors or plugs. Prepare electrical connections.



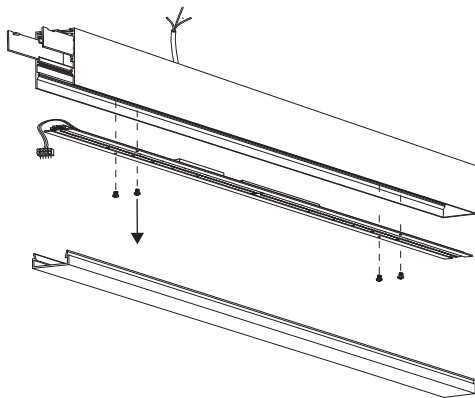
4

Loosen the screws in the two connector plates and push the two fixture sections together.



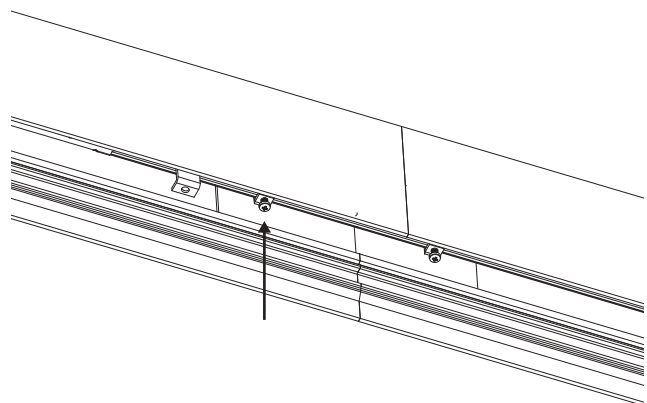
2

Remove the diffuser, unscrew the reflector fixing screws, disconnect the connector blocks and remove the reflector.



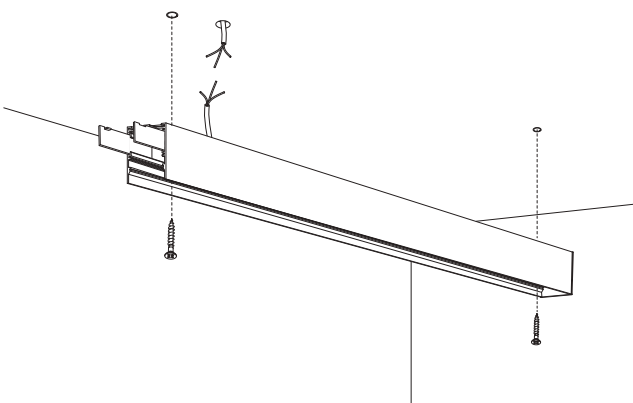
5

With the two fixture sections firmly pushed together tighten all the screws on the connecting plate.



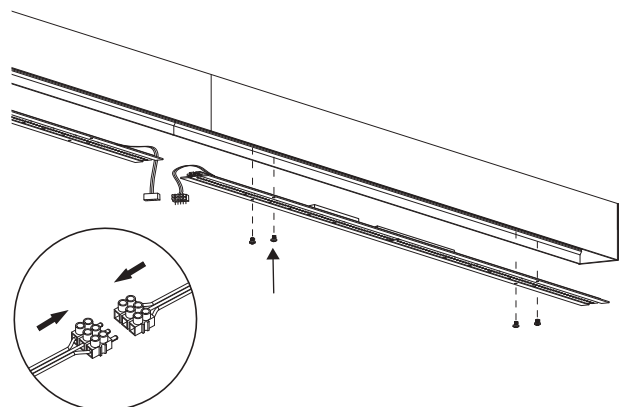
3

Secure the fixture to the ceiling using appropriate fixing screws. Make electrical connections.



6

Replace the reflector using the fixing screws. Make connections between the housing and the reflectors and between each reflector section.



Light Forms
UK Head Office

LightForms.com

8 Richfield Avenue
Reading
RG1 8EQ

T +44 (0)20 8571 3785
E London@
LightForms.com

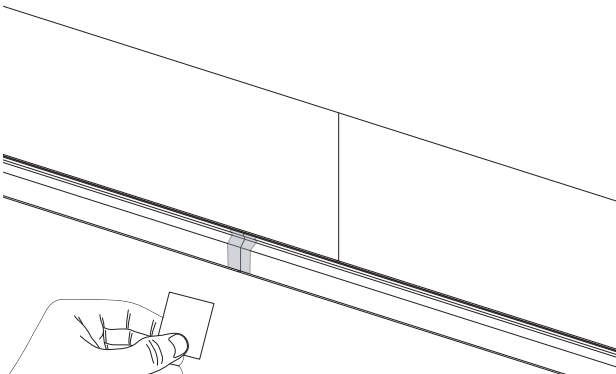
LP2.5 Surface Mount - Multi Section Cont.

Installation / Maintenance Instructions

LIGHT FORMS

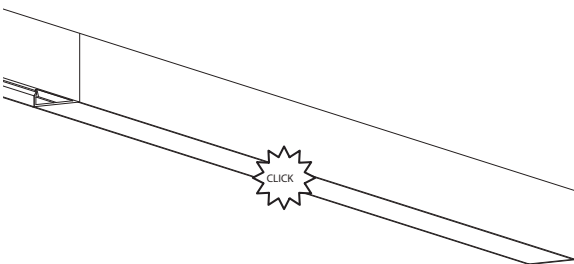
7

Use supplied light leak stickers, to cover the joints between sections.



8

Snap the diffuser back into place. Be sure it is firmly located.



Light Forms
UK Head Office

LightForms.com





8 Richfield Avenue
Reading
RG1 8EQ

T +44 (0)20 8571 3785
E London@
LightForms.com






Registered in England & Wales
No. 6750892

ISO 9001 Quality Management
ISO 14001 Environmental Management
ISO 45001 Occupational Health & Safety Management




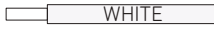


Non Dimmable (ON/OFF)

LIVE	
NEUTRAL	
GROUND	
UNSWITCHED LIVE (Optional Emergency)	







Switch Dimming

LIVE	
NEUTRAL	
RETRACTIVE	
GROUND	
UNSWITCHED LIVE (Optional Emergency)	






DALI Dimming

LIVE	
NEUTRAL	
GROUND	
DATA (Dim -)	
DATA (Dim +)	
UNSWITCHED LIVE (Optional Emergency)	

1-10V Dimming

LIVE	
NEUTRAL	
GROUND	
1-10VDC (Dim -)	
1-10VDC (Dim +)	
UNSWITCHED LIVE (Optional Emergency)	

DMX Dimming

LIVE	
NEUTRAL	
GROUND	
DMX in (Dim -)	
DMX in (Dim +)	
DMX Shield	