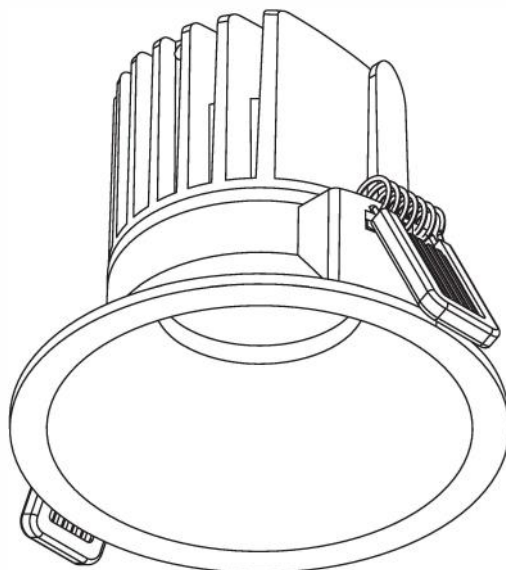


Leo 99 Downlight

Installation / Maintenance Instructions

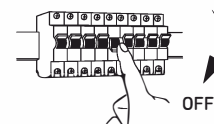
LIGHT FORMS



LE099-DL

Precautions and Warnings

- Read all instructions carefully, the safety of this product is only guaranteed if the instructions are followed, retain these instructions for future use.
- Turn off the power supplier before installation and maintenance.
- Installation must be carried out by a trained professional in accordance with all National electrical codes and regulations.
- To avoid the risk of fire and overheating, make sure all connection, including those made by others, are correct and secure.
- Do not pinch or apply excessive tension on the electrical wires. Damage due to improper handling and installation will void the warranty.
- If there is any damage to the product or the cable, the product must be returned to the retailer or manufacturer.



Luminaire Details

| | |
|---------------|--------------|
| Power Supply: | 230V AC 50Hz |
| IP Rating: | IP20 |
| Class: | □ |
| Ta Max: | 25°C |

| | |
|--------------------------|-------------|
| Fixing Method: | Spring Clip |
| Bezel Diameter: | 99mm |
| Recess Depth: | 82mm |
| Ceiling cutout | 90mm |
| Ceiling Thickness range: | 1-22.5mm |

Light Forms
UK Head Office

LightForms.com

8 Richfield Avenue
Reading
RG1 8EQ

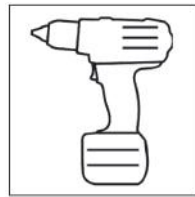
T +44 (0)20 8571 3785
E London@
LightForms.com

Leo 99 Downlight

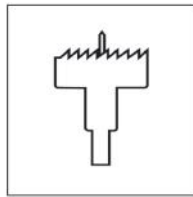
Installation / Maintenance Instructions

LIGHT FORMS

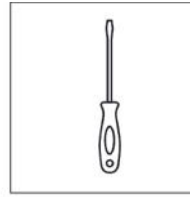
Tools for Installation



Drill



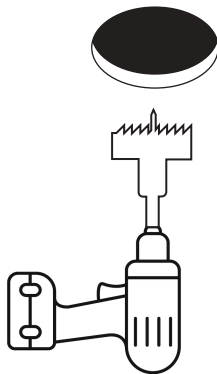
Holesaw 90mm



Screwdriver

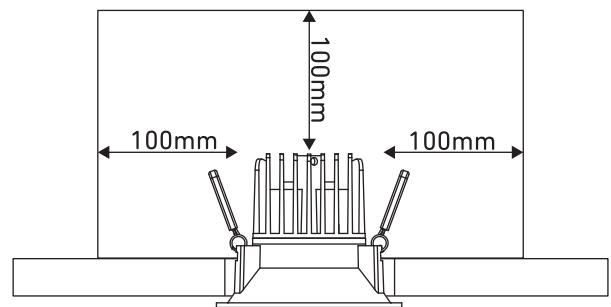
1

Cut 90mm diameter hole in ceiling



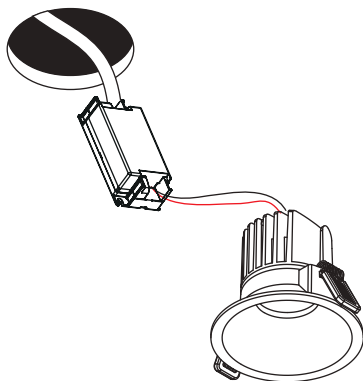
3

Insert luminaire, ensure 100mm clearance between luminaire and insulation. DO NOT COVER DRIVER.



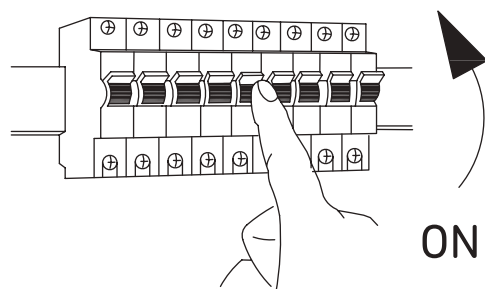
2

Make electrical connections to driver.



4

Turn on power.



See next page for wiring details.

Light Forms
UK Head Office

LightForms.com

8 Richfield Avenue
Reading
RG1 8EQ

T +44 (0)20 8571 3785
E London@
LightForms.com

Registered in England & Wales
No. 6750892

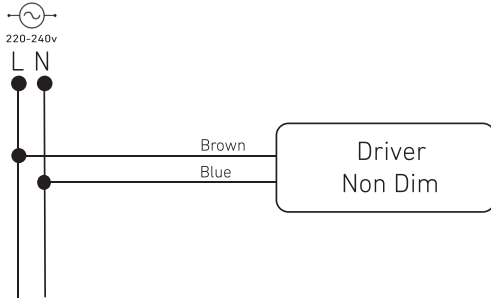
ISO 9001 Quality Management
ISO 14001 Environmental Management
ISO 45001 Occupational Health & Safety Management

Leo 99 Downlight

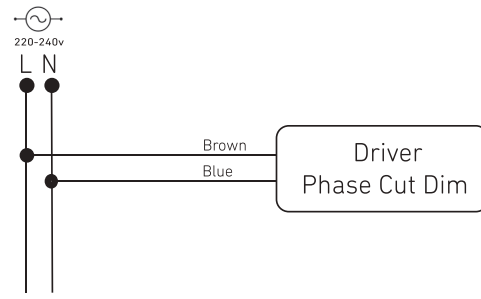
Installation / Maintenance Instructions

LIGHT FORMS

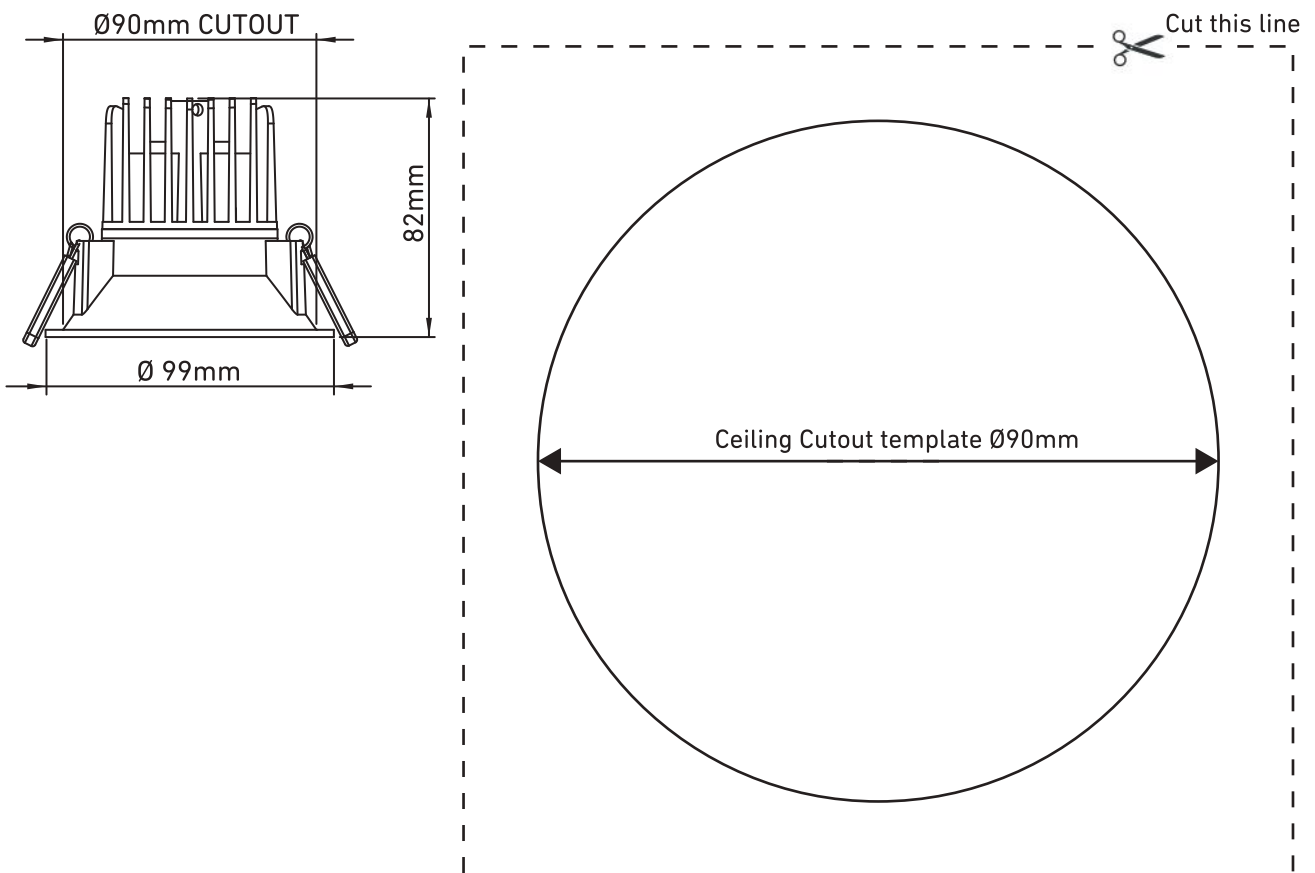
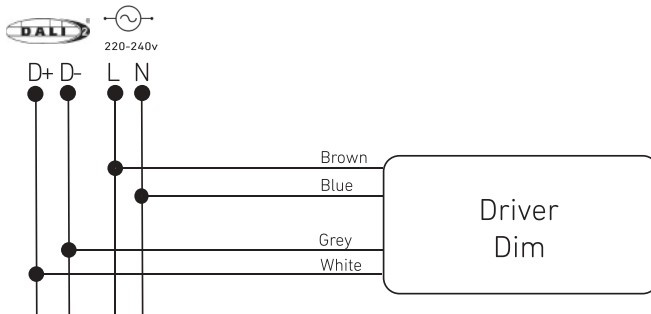
• Wiring Diagram for Non Dimmable Driver



• Wiring Diagram for Phase Cut Driver



• Wiring Diagram for DALI dimming Driver



Light Forms
UK Head Office

LightForms.com

8 Richfield Avenue
Reading
RG1 8EQ

T +44 (0)20 8571 3785
E London@
LightForms.com

Registered in England & Wales
No. 6750892

ISO 9001 Quality Management
ISO 14001 Environmental Management
ISO 45001 Occupational Health & Safety Management