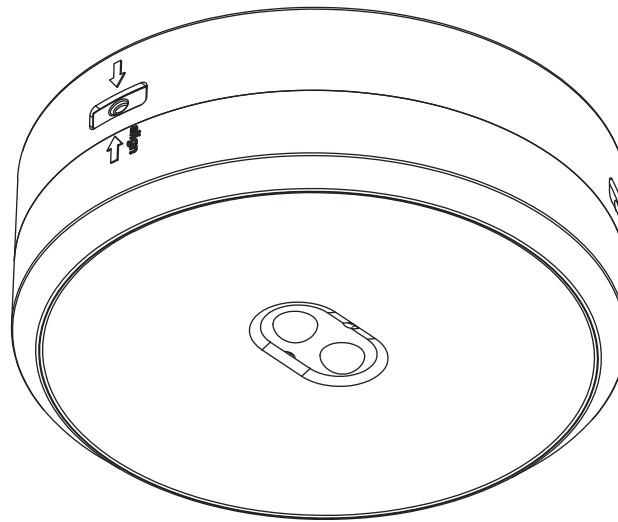


Emergency Surface 140

Installation / Maintenance Instructions

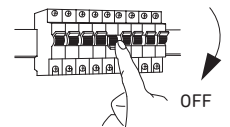
LIGHT FORMS



EM-00002

Precautions and Warnings

- Read all instructions carefully, the safety of this product is only guaranteed if the instructions are followed, retain these instructions for future use.
- Turn off the power supplier before installation and maintenance.
- Installation must be carried out by a trained professional in accordance with all National electrical codes and regulations.
- To avoid the risk of fire and overheating, make sure all connection, including those made by others, are correct and secure.
- Do not pinch or apply excessive tension on the electrical wires. Damage due to improper handling and installation will void the warranty.
- If any there is any damage to the product or the cable, the product must be returned to the retailer or manufacturer.



Electrical Specification

Class:	Class 2 <input type="checkbox"/>
Input power (MAX):	3.5W Non)
Frequency:	50/60Hz
Input voltage:	200-240V
Discharge efficiency:	≥80%
Output power:	1.8W ±0.3W
Power factor:	

Rated input current:	≥0.03A
Full load output voltage:	DC2.8-3.2V
Output current range:	580mA±10%
Surge:	0.5KV
Withstand voltage:	AC3750V
Short circuit protection:	Pass
Over voltage production:	Pass

Light Forms
UK Head Office

LightForms.com

8 Richfield Avenue
Reading
RG1 8EQ

T +44 (0)20 8571 3785
E London@
LightForms.com

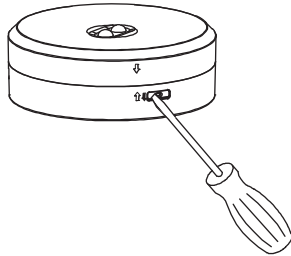
Emergency Surface 140

Installation / Maintenance Instructions

LIGHT FORMS

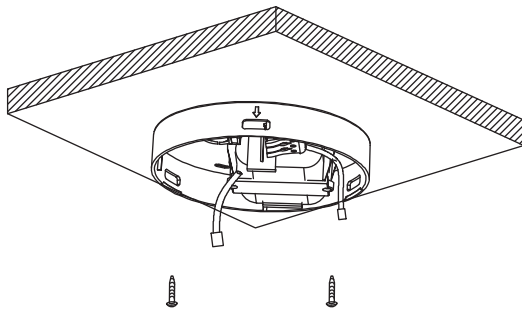
1

Open the fixture using a flat head screwdriver.



2

Knock out the cable entry on the back plate, feed through the power and DALI in cables, and secure to the ceiling using appropriate fixings.

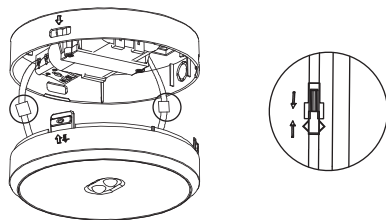


3

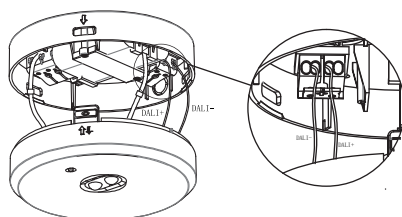
Make electrical and DALI connections into the mounted back plate.

Connect the battery and electrical cables between the back plate and the fascita.

AC Power supply wiring, brown wire connects to L, blue wire connects N.

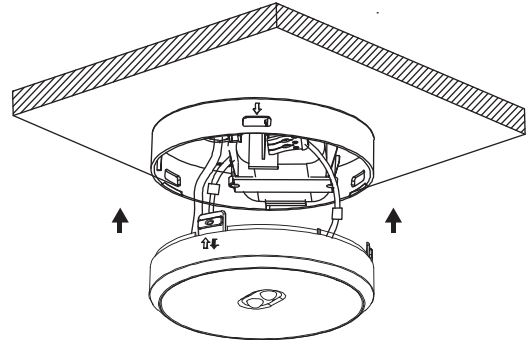


DALI Wiring



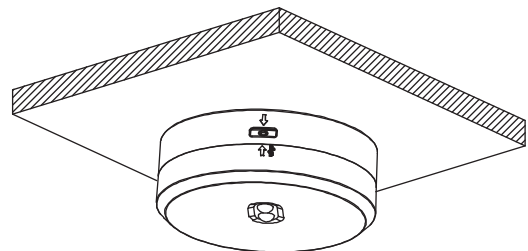
4

Fix the luminaire into ceiling.



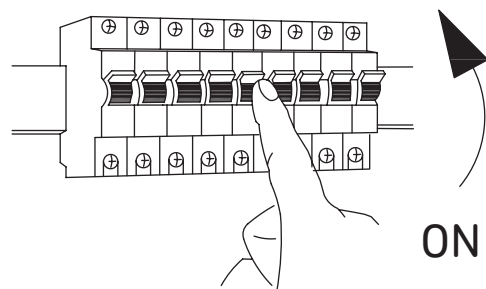
5

Switch on, the green LED indicator will light up.



6

Turn on power.



Light Forms
UK Head Office

LightForms.com

8 Richfield Avenue
Reading
RG1 8EQ

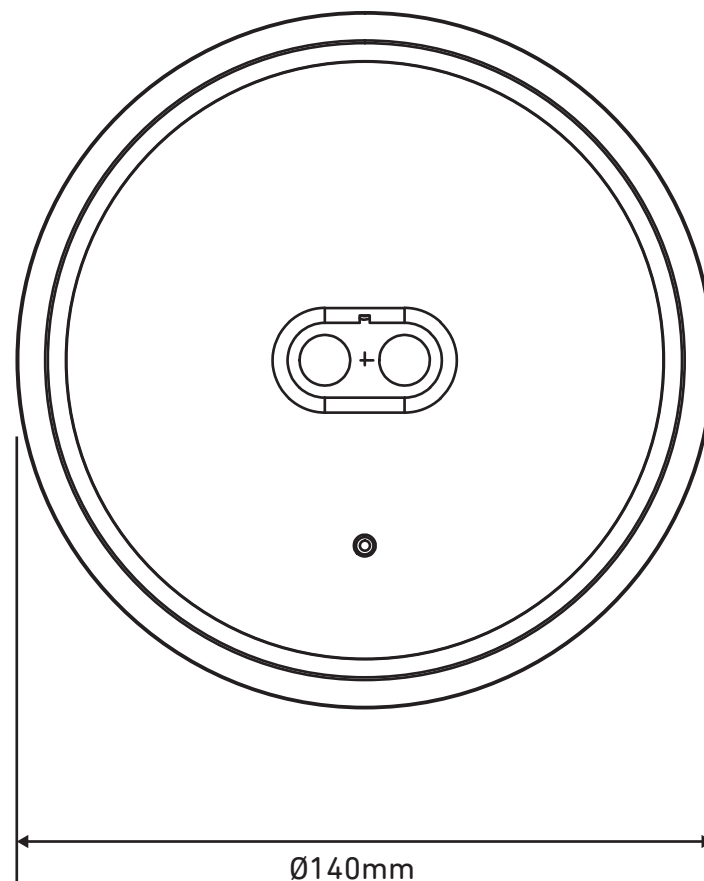
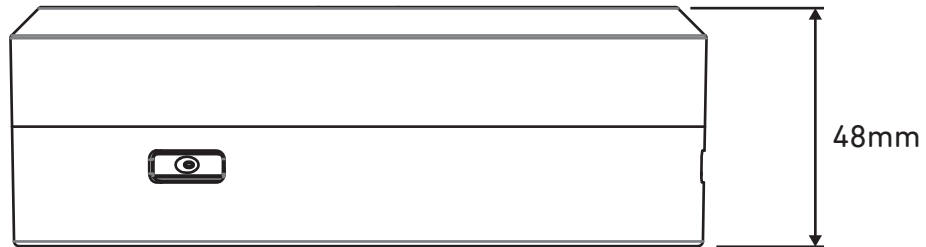
T +44 (0)20 8571 3785
E London@
LightForms.com

Emergency Surface 140

Installation / Maintenance Instructions

LIGHT FORMS

Dimensions



Light Forms
UK Head Office

LightForms.com

8 Richfield Avenue
Reading
RG1 8EQ

T +44 (0)20 8571 3785
E London@
LightForms.com

Registered in England & Wales
No. 6750892

ISO 9001 Quality Management
ISO 14001 Environmental Management
ISO 45001 Occupational Health & Safety Management

Emergency Surface 140

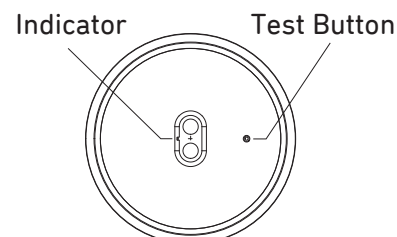
Installation / Maintenance Instructions

LIGHT FORMS

Instructions for Automatic Testing

- Once the unit is powered up, a self diagnostics test will run automatically.
- Note the Status Indicator and Status from the table below.
- When the fault is corrected, press the test button for two seconds. The Red indicator will turn Green.

- It is possible to use the Test Button to perform manual tests.
- Run three Min duration test every month.
- Run one hour or three hour duration test every year.



AUTO Test

Green: Solid:	System OK
Red: Solid:	Requires Service
Green: one flash, 4s pause:	Battery disconnected
Green: two flash, 4s pause:	Low battery voltage
Green: three flash, 4s pause:	Charge board fault
Green: four flash, 4s pause:	AC/DC transfer fault
Green: five flash, 4s pause:	LED lamp fault

MANUAL Test

Press test button once:	Run a 30s duration test
Press test button twice in 2s:	Run a three Min duration test
Press test button three times in 2s:	Run a 30 Min duration test
Press test button three times in 2s:	Run a one hour or three hour duration test
Press and hold test button for 2s	Fault clear and reset

DALI Test

Green: Solid:	System OK
Green: 0.1s flash, 0.1s pause:	Function test underway
Green: 1s flash, 1s pause :	Duration test underway
Red: Solid:	Load failure
Red: 0.1s flash, 0.1s pause:	Battery failure
Red: 1s flash, 1s pause:	Charging Failure
Green: Double Pulse:	Inhibit Mode
Green and Red: OFF	Emergency Mode

Light Forms
UK Head Office

LightForms.com

8 Richfield Avenue
Reading
RG1 8EQ

T +44 (0)20 8571 3785
E London@
LightForms.com